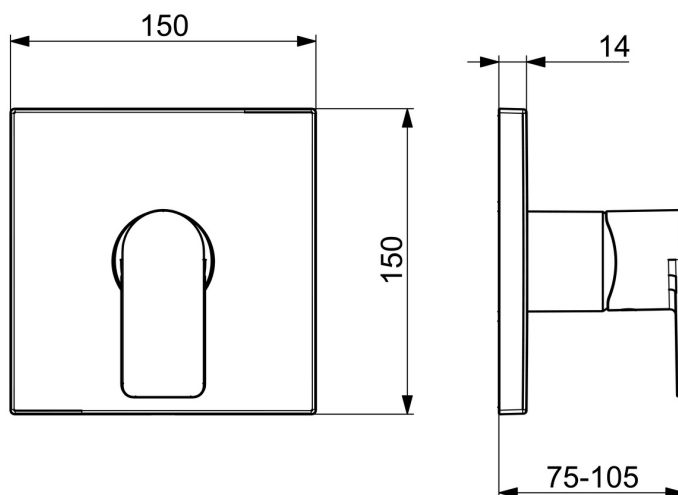
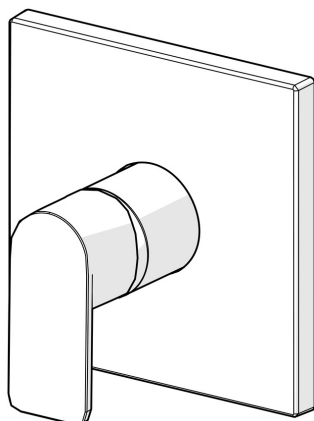


EAN: 4057304015243
static.hansa.com/87859073



Introducing this chrome finished shower faucet, designed for concealed wall-mounting in your shower area. The sleek chrome surface treatment adds a touch of elegance to your bathroom. The inner body is made of corrosion resistant brass, ensuring durability and reliability. This is a top-of-the-line product and known for its innovative design and flexibility in combination with different modern bathroom designs.

- Shower solutions
- Trim Kit, Single-lever
- Concealed wall mounting
- Chrome
- Single operating lever/handle, Hot/Cold symbols
- \varnothing 40 mm ceramic cartridge for flow and temperature control
- Inner body made of DZR brass
- Square rosette, BLUECLICK for an easy, screwless trim plate installation, BLUETUNE alignment after installation of +/- 3,5°, Fastening of the function unit with screws, Sleeve



Technical data

Flow properties

Flow-rate at 3 bar **19.8 l/min**

Technical properties

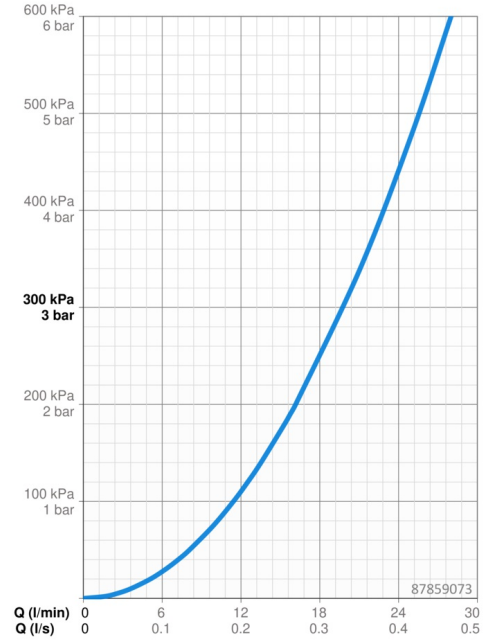
Hot water supply **max. +80°C**
 Working pressure **0.5-10 bar**
 Connection size **G1/2**
 Backflow prevention (EN1717) **EB**
 Material **Brass**

Regulations

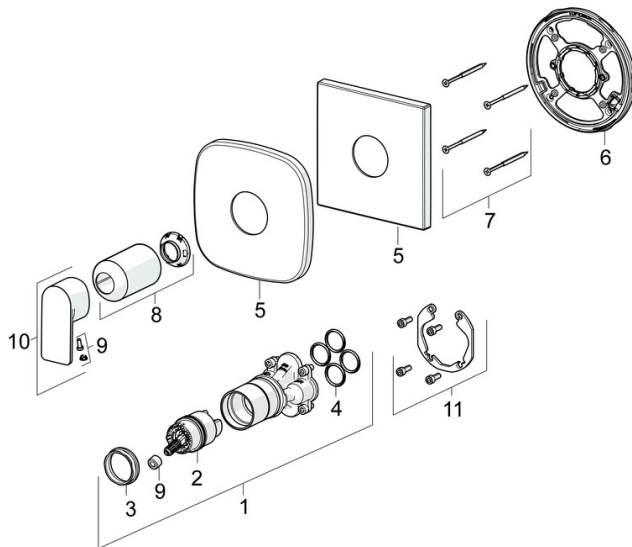
EN standard **EN 817**
 Noise class **I (ISO 3822)**

Approvals and Declarations

ABP **PA-IX 38592/IB**
 Declaration of conformity **DoC**



Spare parts



SP87859073

	Name	Code
01	Functional unit Discontinued	59914510
02	Cartridge, 4.0 Classic	59914129
03	Tightening nut, M42x1.5, SW 38	59914128
04	O-ring, 23.47x2.62	59914304
05	Cover flange	59914312
05	Cover plate, 154x154 mm Discontinued	59914571
06	Fixing part	59914511
07	Screw, M4.5x80	59912890
08	Cover sleeve	59914572
09	Symbol plug	59914573
10	Lever	1009774V