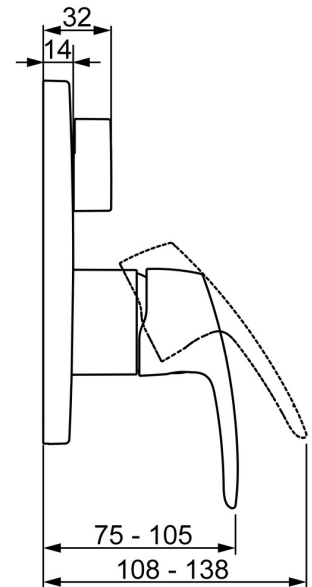
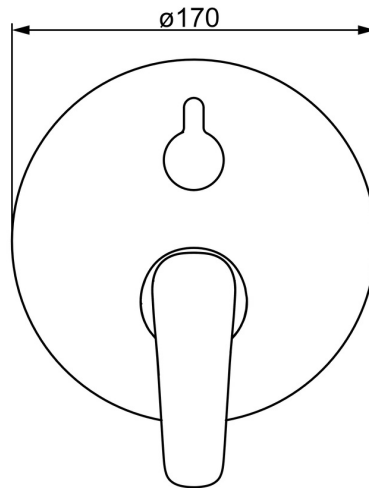
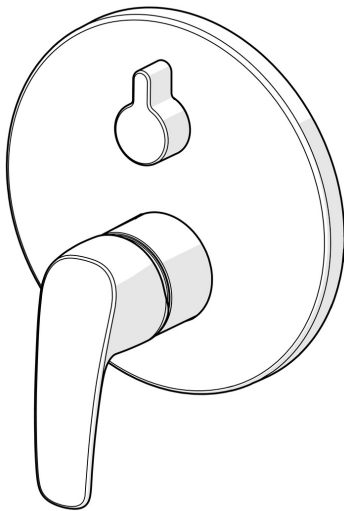


EAN: 4057304003905
static.hansa.com/85283083



- Bathtub & Shower
- Single-lever, Trim Kit
- Concealed wall mounting
- Chrome
- Hot/Cold symbols, Single operating lever/handle
- Turn operated diverter
- Limitation option for maximum temperature and flow-rate, Adjustable hot water stop (included, retrofittable)
- Vacuum breaker, Non-return valve(s), \varnothing 40 mm ceramic cartridge for flow and temperature control
- Inner body made of DZR brass
- Round rosette, Fastening of the function unit with screws, BLUECLICK for an easy, screwless trim plate installation, BLUETUNE alignment after installation of +/- 3,5°



Technical data

Flow properties

Flow-rate at 3 bar **20.4 / 20.4 l/min**

Technical properties

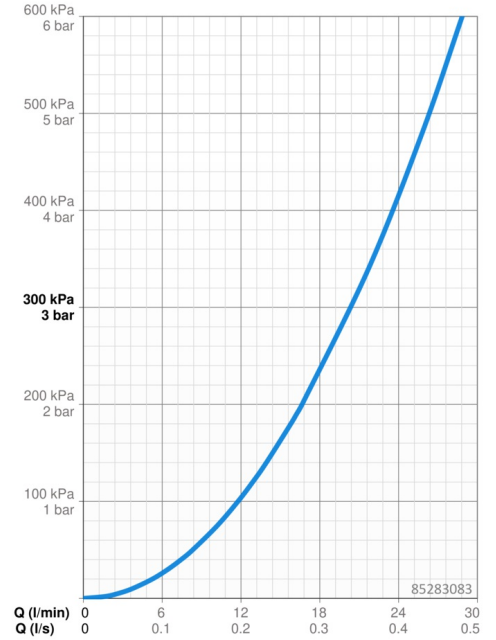
Hot water supply **max. +80°C**
 Working pressure **0.5-10 bar**
 Backflow prevention (EN1717) **HD**

Regulations

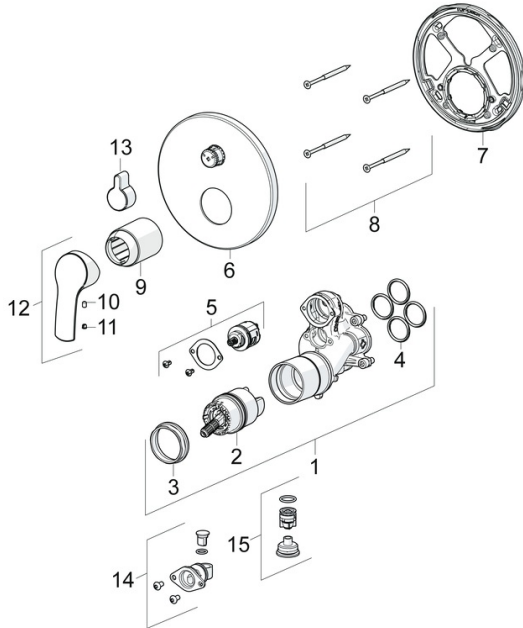
EN standard **EN 817**
 Noise class **I (ISO 3822)**

Approvals and Declarations

DVGW **DW-6506CS0196**
 ABP **PA-IX 38594/IDC**
 Declaration of conformity **DoC**
 EPD **S-P-07752**



Spare parts



SP85283083

	Name	Code
01	Functional unit	59914515
02	Cartridge, 4.0 Classic	59914129
03	Tightening nut, M42x1.5, SW 38	59914128
04	O-ring, 23.47x2.62	59914304
05	Diverter	59914183
06	Cover flange, d 170 mm	59914308
07	Fixing part	59914307
08	Screw, M4.5x80	59912890
09	Cover sleeve Discontinued	59914455
10	Screw, M4x8	59914512
11	Symbol plug	59914513
12	Lever	59914453
13	Diverter knob	59914324
14	Vacuum breaker	59914335
15	Non-return valve	59914336
N.I.	Raising kit, 15 mm, d 170 mm	59914191
N.I.	Raising kit, 15 mm	59914182
N.I.	Fixing screw, M6x13	59914657
N.I.	Diverter, 120°	59914655
N.I.	Adapter, H/C reversed	59914184