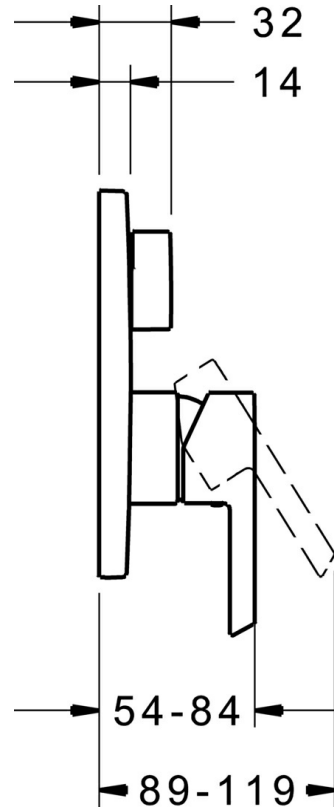
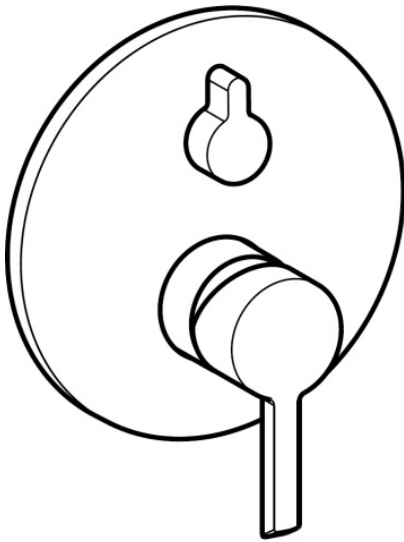


EAN: 4015474278745  
[static.hansa.com/85283003](https://static.hansa.com/85283003)



- Bathtub & Shower
- Single-lever, Trim Kit
- Concealed wall mounting
- Chrome
- Hot/Cold symbols, Single operating lever/handle
- Turn operated diverter
- Vacuum breaker, Non-return valve(s)
- Inner body made of DZR brass
- Round rosette, Fastening of the function unit with screws, BLUECLICK for an easy, screwless trim plate installation, BLUETUNE alignment after installation of +/- 3,5°



## Technical data

### Flow properties

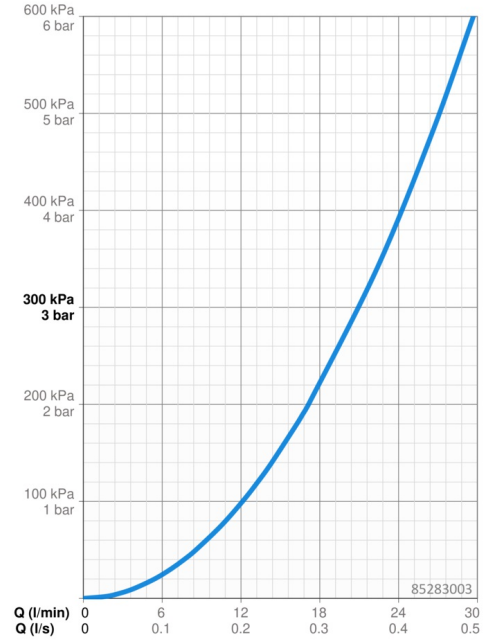
Flow-rate at 3 bar **21.0 / 21.0 l/min**

### Technical properties

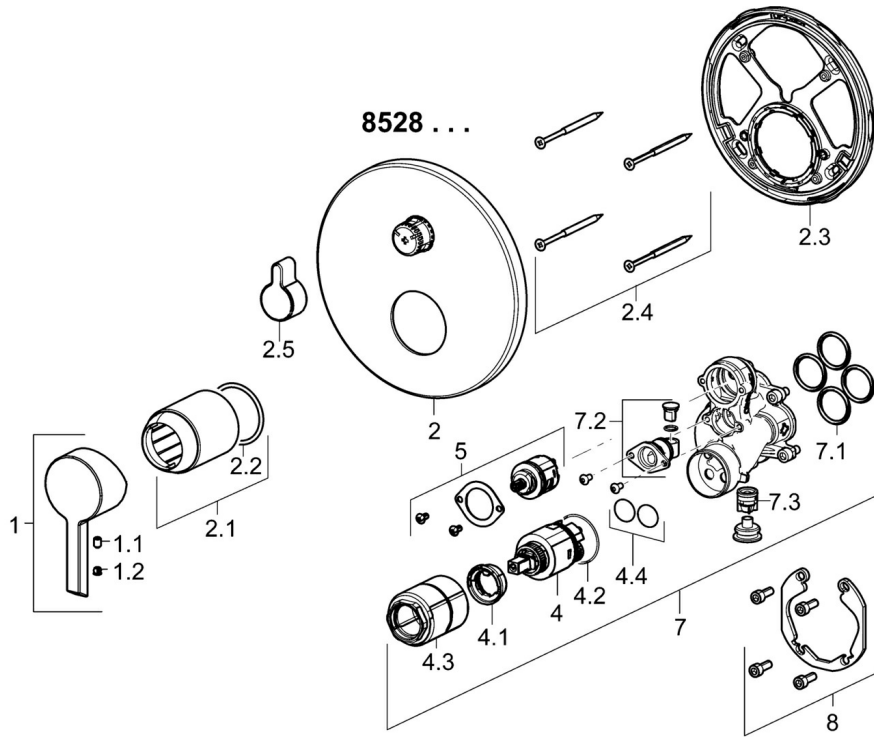
Hot water supply **max. +80°C**  
 Working pressure **0.5-10 bar**  
 Backflow prevention (EN1717) **EB**

### Regulations

EN standard **EN 817**  
 Noise class **I (ISO 3822)**



## Spare parts



### SP85283003

|      | Name                              | Code     |
|------|-----------------------------------|----------|
| 1    | Lever                             | 59913586 |
| 1.1  | Screw, M5x8, SW2.5                | 59904755 |
| 1.2  | Symbol plug Grey                  | 59912112 |
| 2    | Cover flange, d 170 mm            | 59914308 |
| 2.1  | Cover sleeve                      | 59912511 |
| 2.2  | O-ring, 41x3                      | 59913215 |
| 2.3  | Fixing part                       | 59914307 |
| 2.4  | Screw, M4.5x80                    | 59912890 |
| 2.5  | Diverter knob                     | 59914324 |
| 4    | Cartridge, 3.5 Classic            | 59913075 |
| 4.1  | Temperature adjustment limiter    | 59912325 |
| 4.2  | O-ring, d 28.24x2.62 Discontinued | 59912590 |
| 4.3  | Screw sleeve, M38x1               | 59912115 |
| 4.4  | O-ring, d 10.10x1.60 Discontinued | 59905072 |
| 5    | Diverter                          | 59914183 |
| 7    | Functional unit, 3.5              | 59914298 |
| 7.1  | O-ring, 23.47x2.62                | 59914304 |
| 7.2  | Vacuum breaker                    | 59914335 |
| 7.3  | Non-return valve                  | 59914336 |
| 8    | Installation kit                  | 59914186 |
| N.I. | Adapter, H/C reversed             | 59914184 |
| N.I. | Raising kit, 15 mm                | 59914182 |
| N.I. | Fixing screw, M6x13               | 59914657 |
| N.I. | Diverter, 120°                    | 59914655 |
| N.I. | Screwdriver, 5 mm                 | 59914334 |
| N.I. | Raising kit, 15 mm, d 170 mm      | 59914191 |