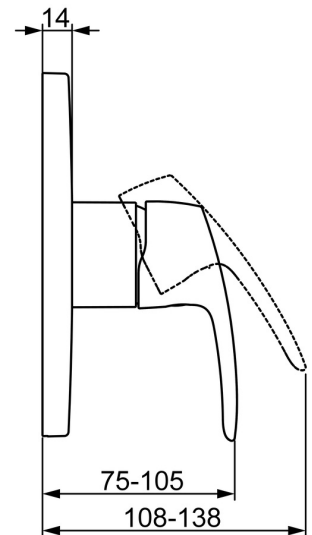
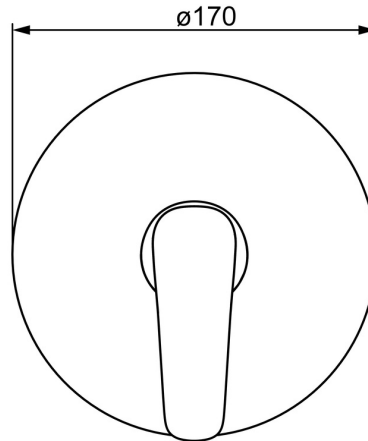
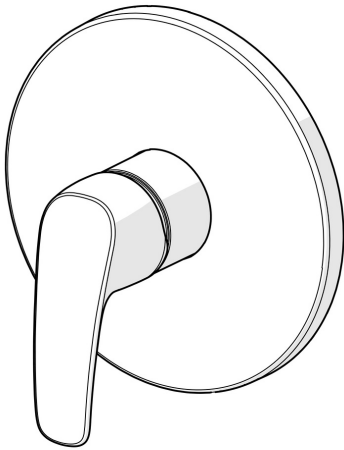


EAN: 4057304003851
static.hansa.com/85279183



- Shower solutions
- Single-lever, Trim Kit
- Concealed wall mounting
- Chrome
- Hot/Cold symbols, Single operating lever/handle
- Limitation option for maximum temperature and flow-rate, Adjustable hot water stop (included, retrofittable)
- \varnothing 40 mm ceramic cartridge for flow and temperature control
- Round rosette, Fastening of the function unit with screws, BLUECLICK for an easy, screwless trim plate installation



Technical data

Flow properties

Flow-rate at 3 bar **19.8 l/min**

Technical properties

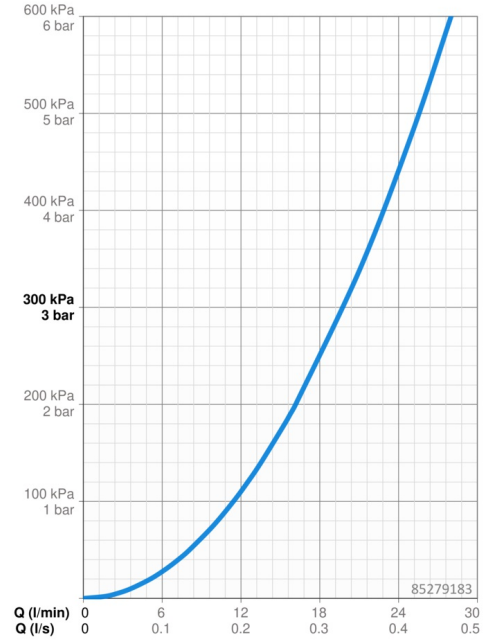
Hot water supply **max. +80°C**
Working pressure **0.5-10 bar**

Regulations

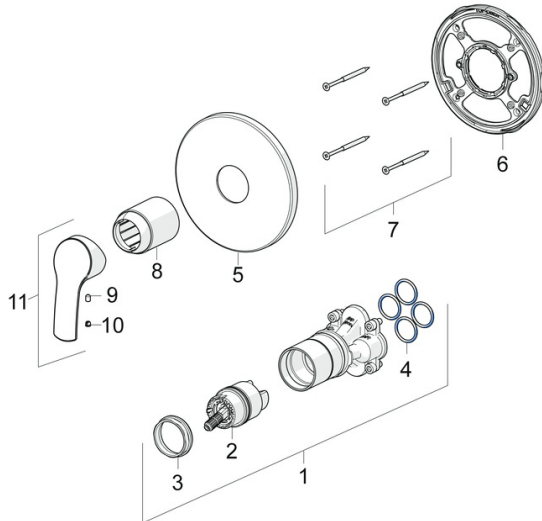
EN standard **EN 817**
Noise class **I (ISO 3822)**

Approvals and Declarations

DVGW **DW-6506CS0196**
ABP **PA-IX 38592/IB**
Declaration of conformity **DoC**
EPD **S-P-07752**



Spare parts



SP85279183

	Name	Code
01	Functional unit Discontinued	59914510
02	Cartridge, 4.0 Classic	59914129
03	Tightening nut, M42x1.5, SW 38	59914128
04	O-ring, 23.47x2.62	59914304
05	Cover flange, d 170 mm	59914310
06	Fixing part	59914511
07	Screw, M4.5x80	59912890
08	Cover sleeve Discontinued	59914455
09	Screw, M4x8	59914512
10	Symbol plug	59914513
11	Lever	59914453
N.I.	Adapter, H/C reversed	59914184
N.I.	Raising kit, 15 mm	59914182
N.I.	Fixing screw, M6x13	59914657
N.I.	Raising kit, 15 mm, d 170 mm	59914191