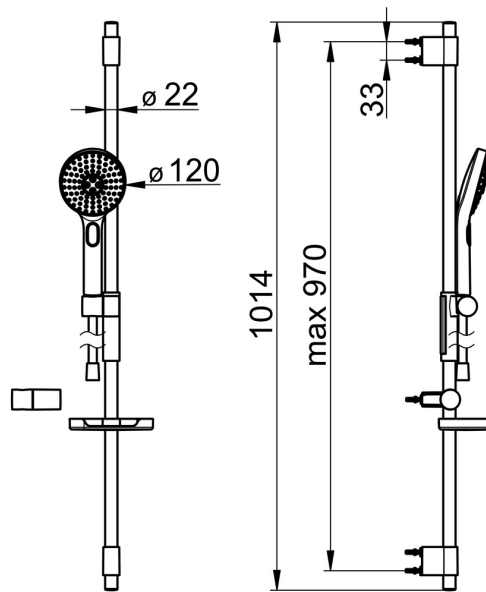
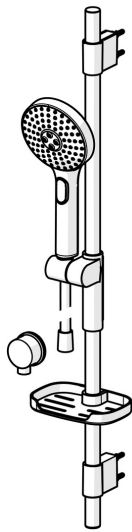


EAN: 4057304010668
static.hansa.com/843701300037

- Shower solutions
- Wall mounted
- Chrome
- Hand shower, Shower rail, Adjustable shower rail bracket, Soap dish, Shower holder, Shower hose (1750 mm), Variable fixing points, Anti limescale technology (easy to clean), Twist guard for shower hose
- Pulsating - Strong water stream for massage or body treatment, Intense - invigorating water stream, Sensitive - Gentle water stream
- Flexible length / can be shortened
- 3 spray functions



Technical data

Flow properties

Flow-rate at 3 bar (with flow controller) **9.0 l/min**

Technical properties

DN-size (nominal dimension) **DN15**
 Hot water supply **max. +65°C**
 Working pressure **0.5-5 bar**
 Connection size **G1/2**
 Diameter **Ø 22 mm**
 Installation width **max 970 mm**
 Length / Height **1014 mm**

Regulations

EN standard **EN 1112, EN 1113**

Approvals and Declarations

Declaration of conformity **DoC**

