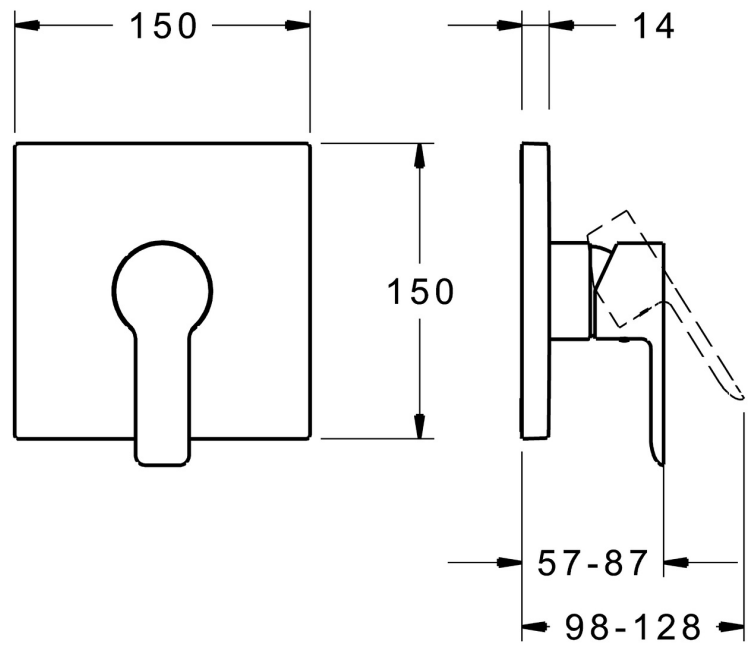
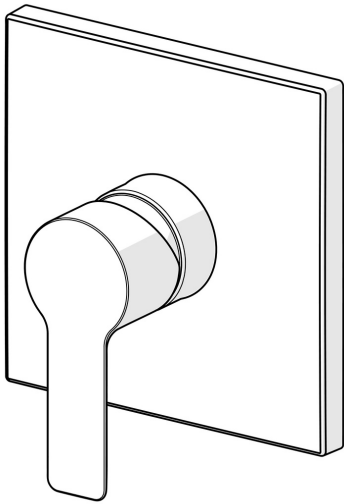


EAN: 4015474278875
static.hansa.com/83879513



- Shower solutions
- Single-lever, Trim Kit
- Concealed wall mounting
- Chrome
- Single operating lever/handle, Hot/Cold symbols
- Limitation option for maximum temperature and flow-rate, Adjustable hot water stop (included, retrofittable)
- \varnothing 35 mm ceramic cartridge for flow and temperature control
- Inner body made of DZR brass
- Square rosette, BLUECLICK for an easy, screwless trim plate installation



Technical data

Flow properties

Flow-rate at 3 bar **20.4 l/min**

Technical properties

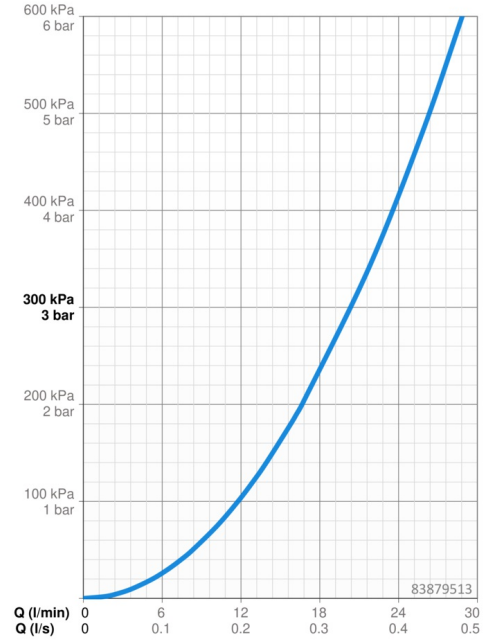
Hot water supply **max. +80°C**
Working pressure **0.5-10 bar**

Regulations

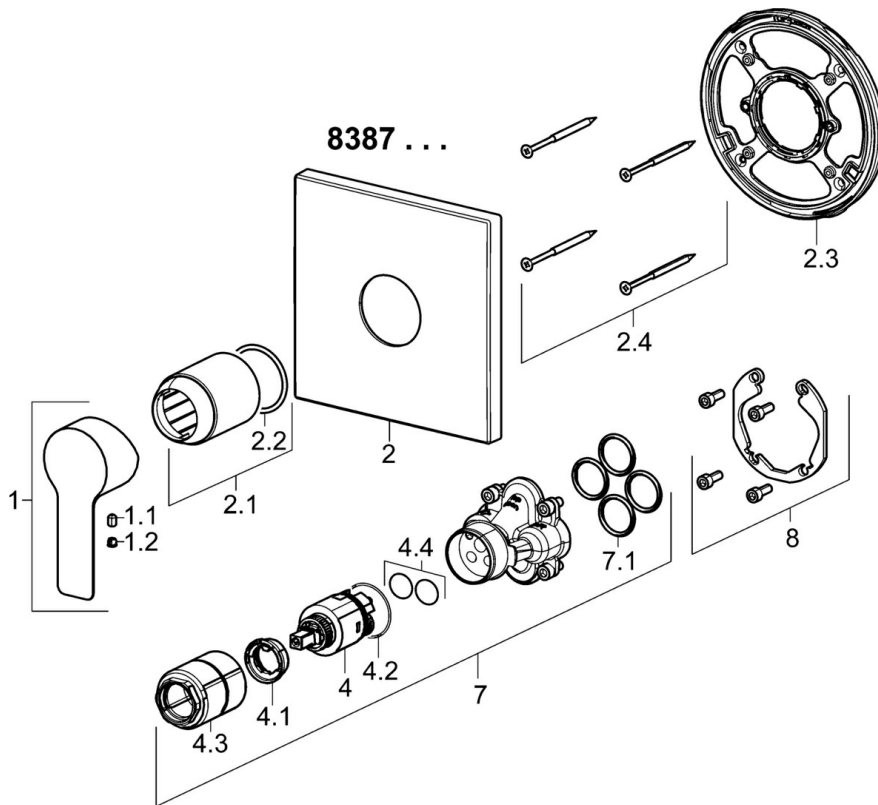
EN standard **EN 817**
Noise class **I (ISO 3822)**

Approvals and Declarations

DVGW **DW-6506CS0196**
ABP **PA-IX 38160/IB**
Declaration of conformity **DoC**
EPD **S-P-07752**



Spare parts



SP83879513

| | Name | Code |
|------|-----------------------------------|----------|
| 1 | Lever | 59913650 |
| 1.1 | Screw, M5x8, SW2.5 | 59904755 |
| 1.2 | Cover plug | 59913762 |
| 2 | Cover flange | 59914312 |
| 2.1 | Cover sleeve | 59912511 |
| 2.2 | O-ring, 41x3 | 59913215 |
| 2.3 | Fixing part | 59914296 |
| 2.4 | Screw, M4.5x80 | 59912890 |
| 4 | Cartridge, 3.5 Classic | 59913075 |
| 4.1 | Temperature adjustment limiter | 59912325 |
| 4.2 | O-ring, d 28.24x2.62 Discontinued | 59912590 |
| 4.3 | Screw sleeve, M38x1 | 59912115 |
| 4.4 | O-ring, d 10.10x1.60 Discontinued | 59905072 |
| 7 | Functional unit, 3.5 | 59914303 |
| 7.1 | O-ring, 23.47x2.62 | 59914304 |
| 8 | Installation kit | 59914186 |
| N.I. | Fixing screw, M6x13 | 59914657 |
| N.I. | Adapter, H/C reversed | 59914184 |
| N.I. | Raising kit, 15 mm | 59914182 |
| N.I. | Raising kit, 15 mm, 150x150 mm | 59914192 |