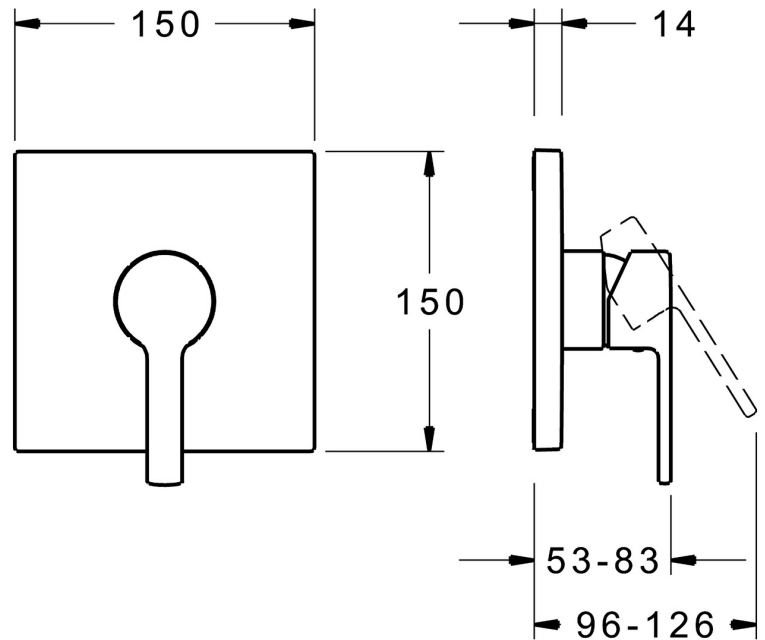
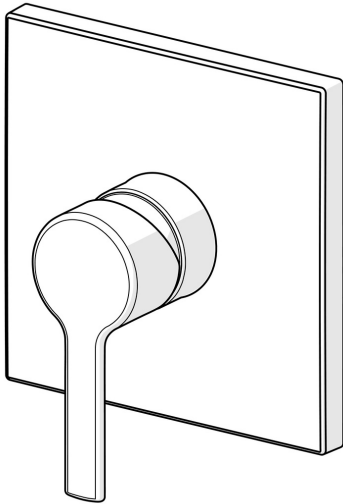


EAN: 4015474287136
static.hansa.com/83869583



- Shower solutions
- Single-lever, Trim Kit
- Concealed wall mounting
- Chrome
- Single operating lever/handle, Hot/Cold symbols
- Limitation option for maximum temperature and flow-rate, Adjustable hot water stop (included, retrofittable)
- \varnothing 35 mm ceramic cartridge for flow and temperature control
- Inner body made of DZR brass
- Square rosette, Fastening of the function unit with screws, BLUECLICK for an easy, screwless trim plate installation



Technical data

Flow properties

Flow-rate at 3 bar **20.4 l/min**

Technical properties

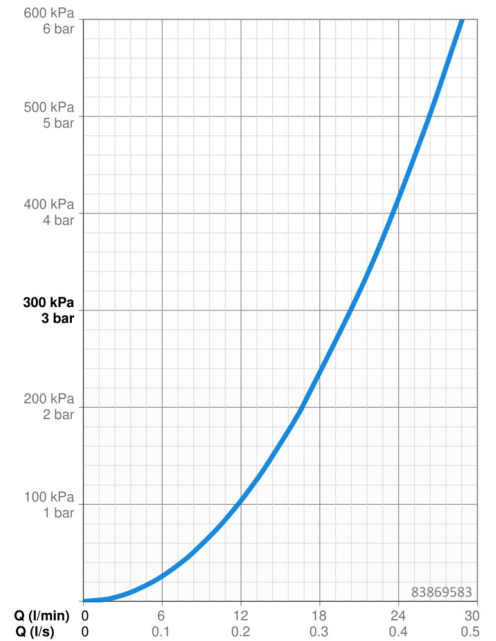
Hot water supply **max. +80°C**
Working pressure **0.5-10 bar**

Regulations

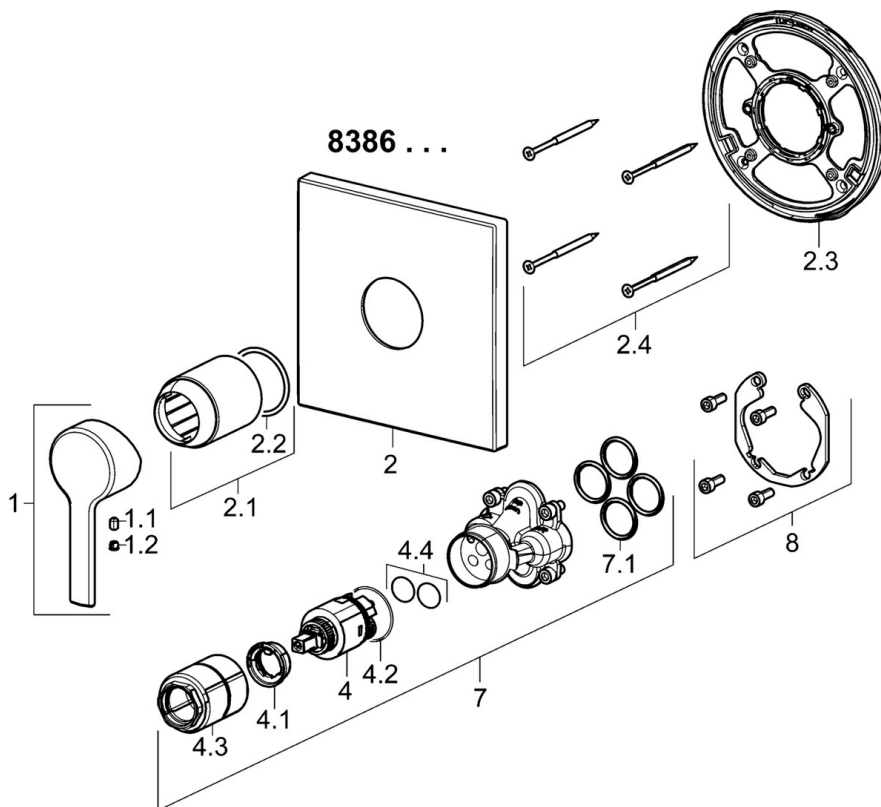
EN standard **EN 817**
Noise class **I (ISO 3822)**

Approvals and Declarations

DVGW **DW-6506CS0196**
ABP **PA-IX 38160/IB**
Declaration of conformity **DoC**



Spare parts



SP83869583

	Name	Code
1	Lever	59913761
1.1	Screw, M5x8, SW2.5	59904755
1.2	Cover plug	59913762
2	Cover flange	59914312
2.1	Cover sleeve	59912511
2.2	O-ring, 41x3	59913215
2.3	Fixing part	59914296
2.4	Screw, M4.5x80	59912890
4	Cartridge, 3.5 Classic	59913075
4.1	Temperature adjustment limiter	59912325
4.2	O-ring, d 28.24x2.62 Discontinued	59912590
4.3	Screw sleeve, M38x1	59912115
4.4	O-ring, d 10.10x1.60 Discontinued	59905072
7	Functional unit, 3.5	59914303
7.1	O-ring, 23.47x2.62	59914304
8	Installation kit	59914186
N.I.	Fixing screw, M6x13	59914657
N.I.	Adapter, H/C reversed	59914184
N.I.	Raising kit, 15 mm	59914182
N.I.	Raising kit, 15 mm, 150x150 mm	59914192