

EAN: 4057304017360
static.hansa.com/82609067



The HANSAVANTIS is the perfect fit for any bathroom, with a proven expert quality you can rely on, no matter your specific needs. Durable and long-lasting in both design and service life, this faucet brings you joy and confidence for years to come. Functional considerations and a dedicated level of detail offer a new user experience.

Elegant and functional designed diverter

High quality

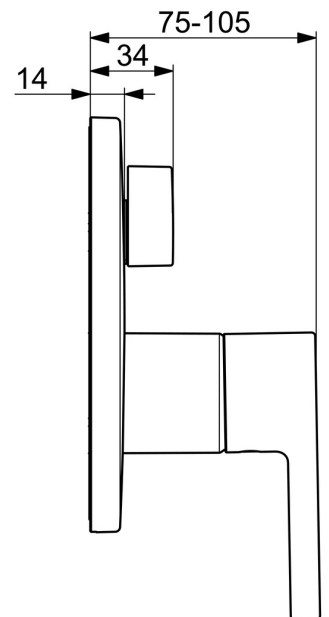
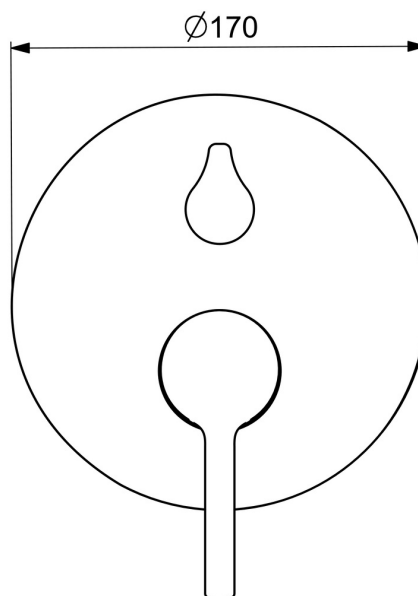
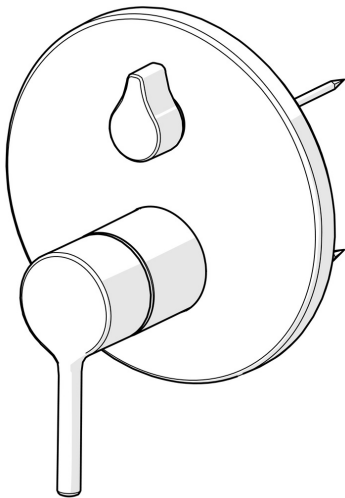
Sleek design

Double outlet diverter

Made in Europe

Shower and bath faucet with maximum comfort

- Bath tub & Shower
- Trim Kit, Single-lever
- Concealed wall mounting
- Chrome
- Single operating lever/handle, Pin shape, Hot/Cold symbols
- Turn operated diverter
- Limitation option for maximum temperature and flow-rate, Adjustable hot water stop (included, retrofittable)
- \varnothing 40 mm ceramic cartridge for flow and temperature control
- Inner body made of DZR brass
- Rosette plate frame, Round rosette, BLUECLICK for an easy, screwless trim plate installation, BLUETUNE alignment after installation of +/- 3,5°, Fastening of the function unit with screws, Function unit



Technical data

Flow properties

Flow-rate at 3 bar **20.4 / 20.4 l/min**

Technical properties

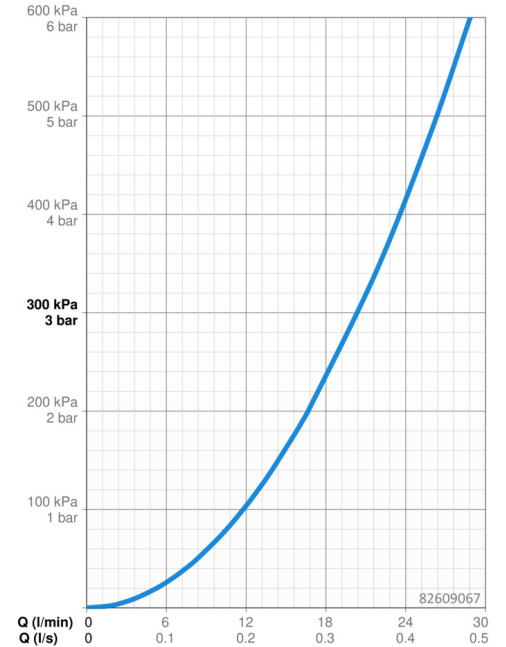
Hot water supply **max. +80°C**
 Working pressure **0.5-10 bar**
 Material **Brass**

Regulations

EN standard **EN 817**
 Noise class **I (ISO 3822)**

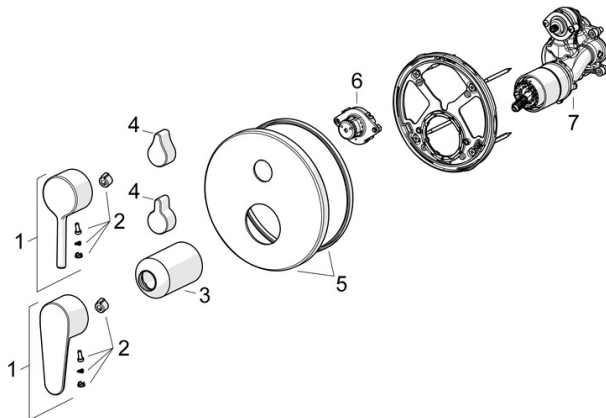
Approvals and Declarations

DVGW **DW-6506CS0196**
 ABP **PA-IX 38593/IDC**
 Declaration of conformity **DoC**
 EPD **S-P-07752**



Spare parts

SP82609063



	Name	Code
01	Lever	1014994V
01	Lever	1014997V
02	Symbol plug	59914573
03	Cover sleeve	59914572
04	Diverter knob	59914324
04	Handle	59914576
05	Cover flange, d 170 mm	59914308
06	Diverter, 120°	59914655
07	Functional unit	59914514