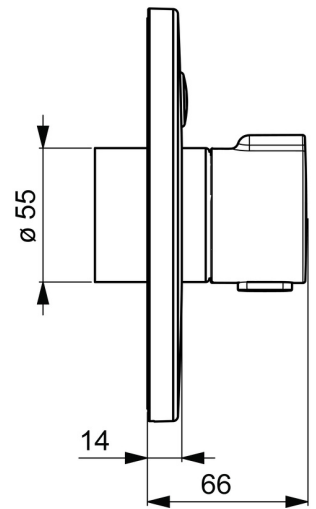
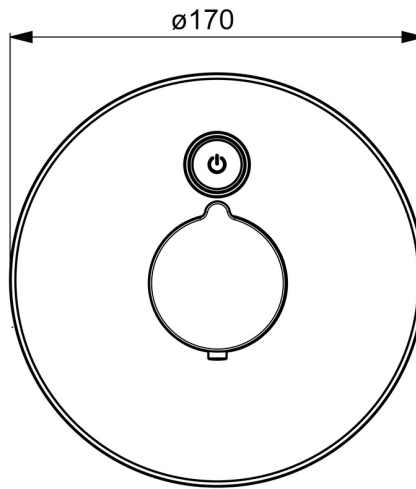
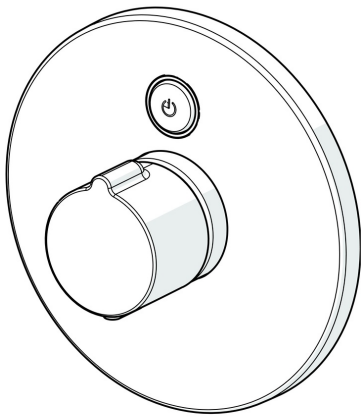


EAN: 4057304016943
static.hansa.com/81919009



- Public & Semi-public
- Trim Kit, Thermostatic, Battery-operated, External transformer, Bluetooth®
- Concealed wall mounting
- Chrome
- Temperature control handle
- Mechanical push button
- Safety stop against scalding at 38°C
- Thermostatic cartridge for automatic temperature control, Non-return valve(s)
- Solenoid valve, External control unit, Light indicated function(s), Low battery indicator
- Software settings adjustable via App
- Round rosette
- Without transformer



Technical data

Flow properties

Flow-rate at 3 bar **13.8 l/min**

Technical properties

Hot water supply **max. +70°C**
 Working pressure **1-10 bar**
 Backflow prevention (EN1717) **EB**
 Material **Brass**

Software settings

Automatic flush **off (off/1-120 h)**
 Automatic flush period **30 s (1-1800 s)**
 Max. flow period **45 s (1 - 1800 s)**

Electronic properties

Electrical Connection **12 V**
 Battery **AA 1.5 V Lithium x 2**
 Bluetooth version **5.x (D060576)**

Regulations

EU Directives **CE Radio Equipment Directive 2014/53/EU , Low Voltage Directive 2014/35/EU , EMC Directive 2014/30/EU , RoHS Directive 2011/65/EU**

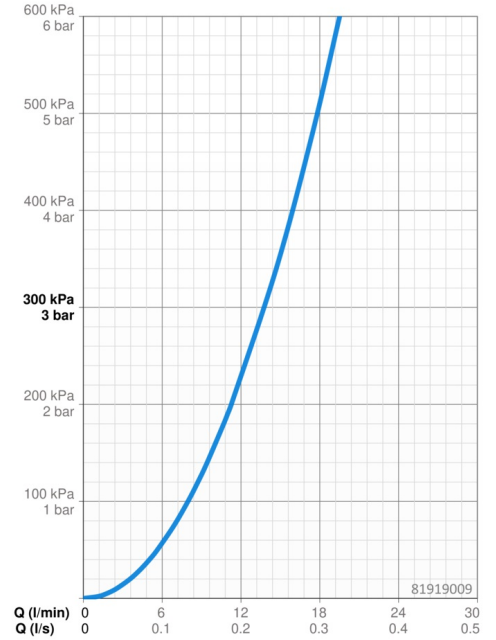
EN standard **EN 1111 , EN 15091, ETSI EN 301 489-1 V1.9.2 , ETSI EN 300 328 v2.2.2 , EN 61000-6-1:2007 , EN 61000-6-3:2007+A1:2011+AC:2012 , EN 60335-1:2012+A11+A13+A14+A14+A2+A15:2021, Part 19.11.4**

Noise class **I (ISO 3822)**

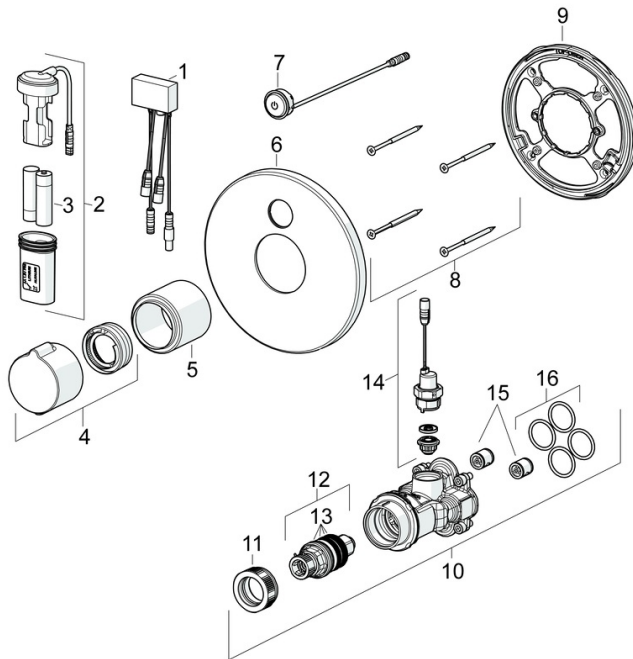
Protection class **IP 55**

Approvals and Declarations

UN38.3 **UN38-3 Energizer L91**
 Declaration of conformity **RED**



Spare parts



SP81919009

	Name	Code
01	Control unit, 3/12 V Bluetooth	1009970V
02	Battery casing	59914122
03	Battery, 1.5 V AA Lithium	59914136
04	Temperature control handle	59914320
05	Cover sleeve	59914294
06	Cover plate, d 170 mm	59914556
07	Push button	1010225V
08	Screw, M4.5x80	59912890
09	Fixing part	59914296
10	Functional unit	59914558
11	Tightening nut, M36x1.5, SW38	59914319
12	Thermostatic cartridge, 3.4	59914114
13	O-ring kit	59914113
14	Solenoid valve complete, 3 V	59914125
15	Non-return valve	59905714
16	O-ring, 23.47x2.62	59914304