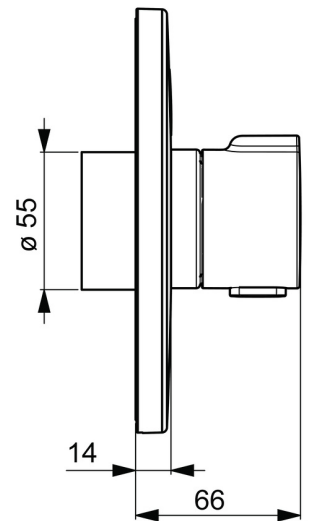
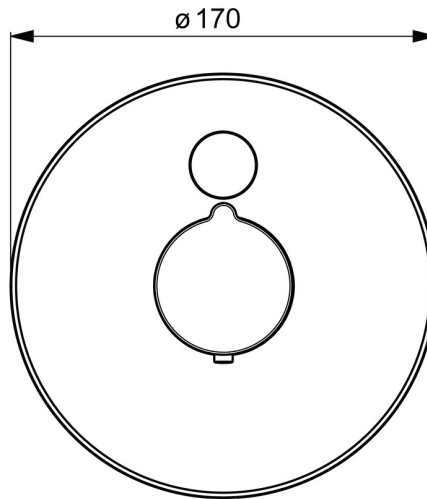
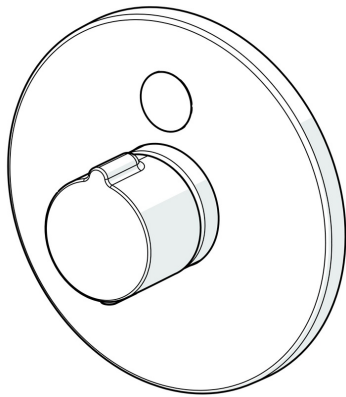


EAN: 4057304004865  
[static.hansa.com/81909001](https://static.hansa.com/81909001)



- Public & Semi-public, Health & Care
- Trim Kit, Thermostatic, Touchless, Battery-operated
- Concealed wall mounting
- Chrome
- Temperature control handle
- Limitation option for maximum temperature and flow-rate, Safety stop against scalding at 38°C
- Thermostatic cartridge for automatic temperature control, Non-return valve(s)
- Autofocus infrared sensor, Solenoid valve, External control unit, Light indicated function(s), Low battery indicator
- Software settings adjustable via magnetic key
- Round rosette, BLUECLICK for an easy, screwless trim plate installation



## Technical data

### Flow properties

Flow-rate at 3 bar **13.8 l/min**

### Technical properties

Hot water supply **max. +70°C**  
 Working pressure **1-10 bar**  
 Backflow prevention (EN1717) **EB**  
 Material **Brass**

### Software settings

Afterflow period **3 s (1/2/3/4/5/6/7/8/9/10 s)**  
 Automatic flush **off (off/6/12/18/24/30/36/48/60/72 h)**  
 Automatic flush period **30 s (30/60/90/120/180/240/300/360/480/600 s)**  
 Max. flow period **60 s (10/30/60/90/120/150/180/210/240/300 s)**

### Electronic properties

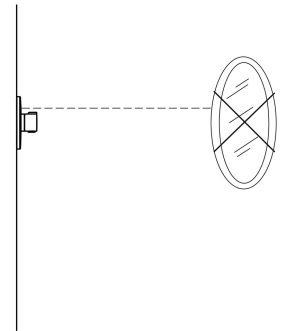
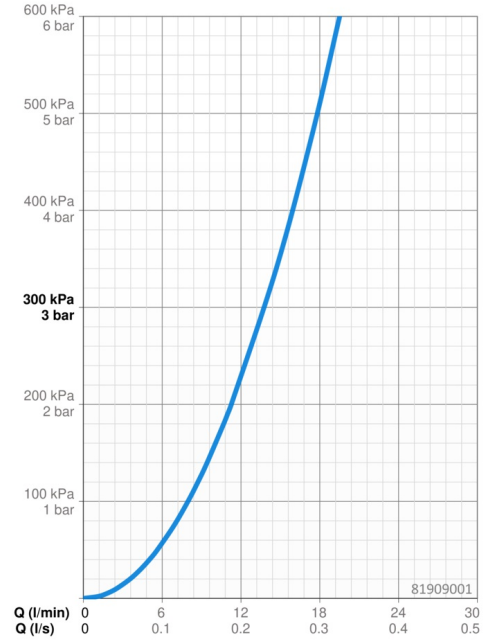
Battery **AA 1.5 V Lithium x 2**

### Regulations

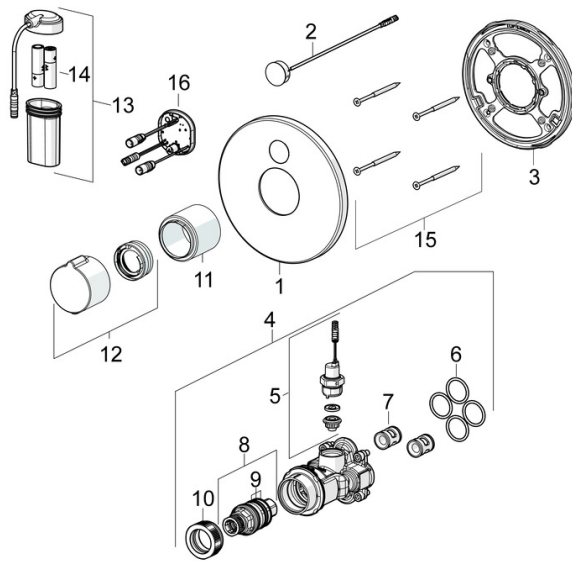
EU Directives **C E EMC Directive 2014/30/EU , RoHS Directive 2011/65/EU**  
 EN standard **EN 1111 , EN 15091, ETSI EN 301 489-1 V1.9.2 , ETSI EN 300 328 v2.2.2 , EN 61000-6-1:2007 , EN 61000-6-3:2007+A1:2011+AC:2012 , EN 60335-1:2012+A11+A13+A14+A14+A2+A15:2021, Part 19.11.4**  
 Noise class **I (ISO 3822)**  
 Protection class **IP 55**

### Approvals and Declarations

UN38.3 **UN38-3 Energizer L91**  
 Declaration of conformity **EMC**



## Spare parts



### SP81909001

	Name	Code
01	Cover plate, d 170 mm	59914556
02	Sensor	59914559
03	Fixing part	59914296
04	Functional unit	59914558
05	Solenoid valve complete, 3 V	59914125
06	O-ring, 23.47x2.62	59914304
07	Non-return valve	59905714
08	Thermostatic cartridge, 3.4	59914114
09	O-ring kit	59914113
10	Tightening nut, M36x1.5, SW38	59914319
11	Cover sleeve	59914294
12	Temperature control handle	59914320
13	Battery casing	59914122
14	Battery, 1.5 V AA Lithium	59914136
15	Screw, M4.5x80	59912890
16	Control unit, 3 V	59914552