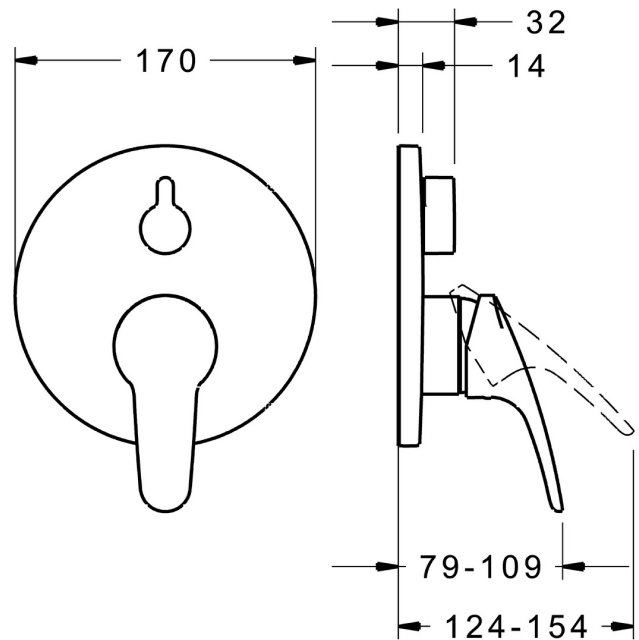
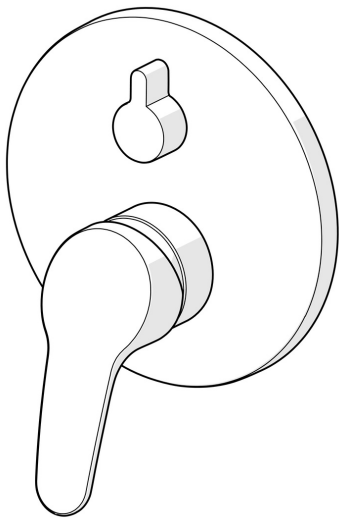


EAN: 4015474279247  
[static.hansa.com/81843083](https://static.hansa.com/81843083)



- Bathtub & Shower
- Single-lever, Trim Kit
- Concealed wall mounting
- Chrome
- Hot/Cold symbols, Single operating lever/handle
- Turn operated diverter
- Limitation option for maximum temperature and flow-rate, Adjustable hot water stop (included, retrofittable)
- Vacuum breaker,  $\varnothing$  48 mm ceramic cartridge for flow and temperature control, Non-return valve(s)
- Inner body made of DZR brass
- Round rosette, Fastening of the function unit with screws, BLUECLICK for an easy, screwless trim plate installation, BLUETUNE alignment after installation of +/- 3,5°



## Technical data

### Flow properties

Eco-flow at 3 bar	<b>12.6 l/min</b>
Flow-rate at 3 bar	<b>23.4 / 23.4 l/min</b>

### Technical properties

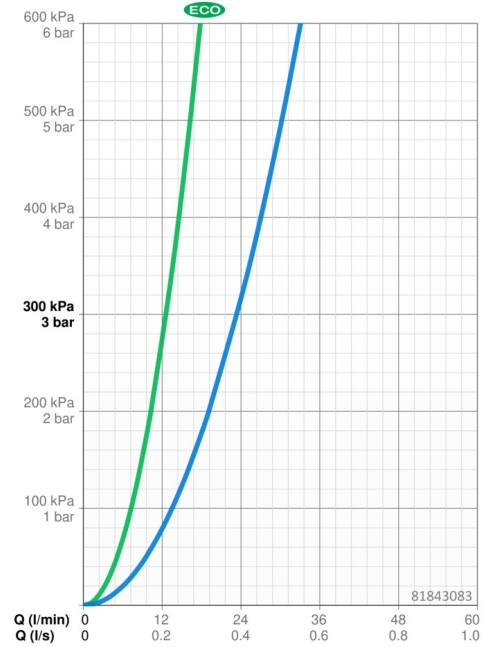
Hot water supply	<b>max. +80°C</b>
Working pressure	<b>0.5-10 bar</b>
Backflow prevention (EN1717)	<b>HD</b>

### Regulations

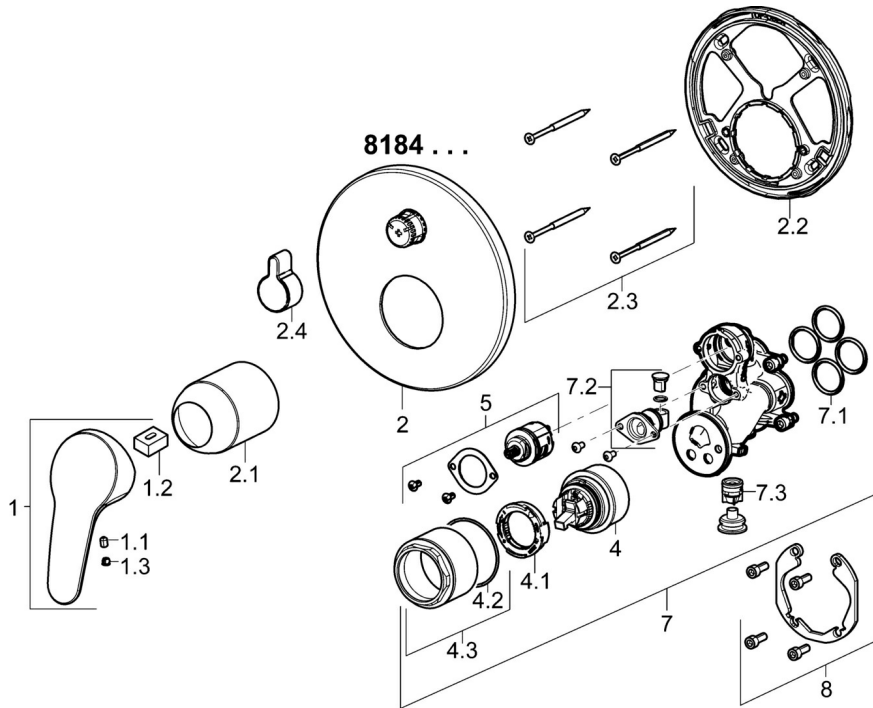
EN standard	<b>EN 817</b>
Noise class	<b>I (ISO 3822)</b>

### Approvals and Declarations

DVGW	<b>DW-6506CS0196</b>
ABP	<b>PA-IX 38182/ICC</b>
Declaration of conformity	<b>DoC</b>



## Spare parts



### SP81843083

	Name	Code
1	Lever, L=93 mm	01880083
1.1	Screw, M5x8, SW2.5	59904755
1.2	Bushing	59904778
1.3	Symbol plug Grey	59912112
2	Cover flange, d 170 mm	59914317
2.1	Covering cap	59904820
2.2	Fixing part	59914307
2.3	Screw, M4.5x80	59912890
2.4	Diverter knob	59914324
4	Cartridge, 4.8 eco	59904601
4.1	Hot water limiter	59904759
4.2	O-ring, 50.52x1.78	59906841
4.3	Eye screw, M50x1, SW45	59912980
5	Diverter	59914183
7	Functional unit Discontinued	59914323
7.1	O-ring, 23.47x2.62	59914304
7.2	Vacuum breaker	59914335
7.3	Non-return valve	59914336
8	Installation kit	59914186
N.I.	Adapter, H/C reversed	59914184
N.I.	Raising kit, 15 mm	59914182
N.I.	Fixing screw, M6x13	59914657
N.I.	Diverter, 120°	59914655
N.I.	Screwdriver, 5 mm	59914334
N.I.	Raising kit, 15 mm, d 170 mm	59914191