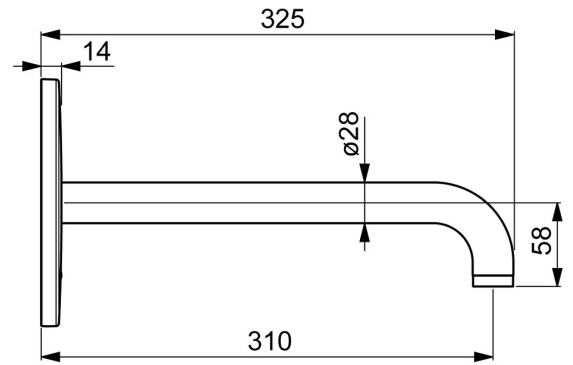
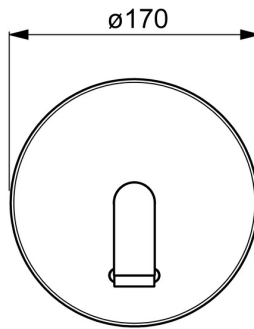
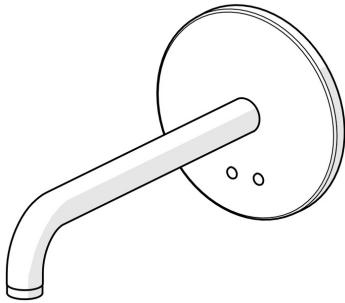


EAN: 4057304004810  
[static.hansa.com/81802120](https://static.hansa.com/81802120)



- Public & Semi-public
- Trim Kit, Touchless, Battery-operated
- Concealed wall mounting
- Chrome
- PCA® - constant flow rate regardless of pressure variations, Standard aerator
- Litter filter(s)
- Autofocus infrared sensor, Solenoid valve, External control unit, Light indicated function(s), Low battery indicator
- One inlet for cold or premixed water
- Software settings adjustable via magnetic key
- Round rosette, BLUECLICK for an easy, screwless trim plate installation



## Technical data

### Flow properties

Flow-rate at 3 bar (with flow controller) **4.8 l/min**

### Technical properties

Hot water supply **max. +70°C**  
 Working pressure **1-10 bar**  
 Projection **310 mm**  
 Material **Brass**

### Software settings

Afterflow period **3 s (1/2/3/4/5/6/7/8/9/10 s)**  
 Automatic flush **off (off/6/12/18/24/30/36/48/60/72 h)**  
 Automatic flush period **30 s (30/60/90/120/180/240/300/360/480/600 s)**  
 Max. flow period **60 s (10/30/60/90/120/150/180/210/240/300 s)**

### Electronic properties

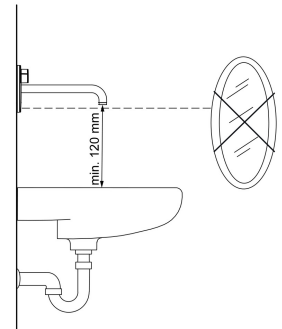
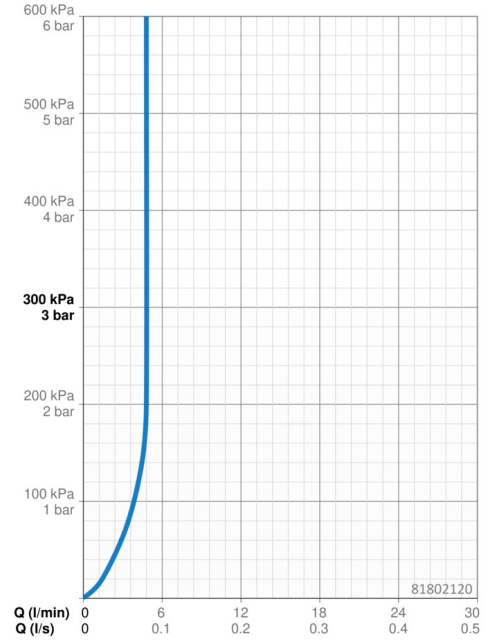
Battery **AA 1.5 V Lithium x 2**

### Regulations

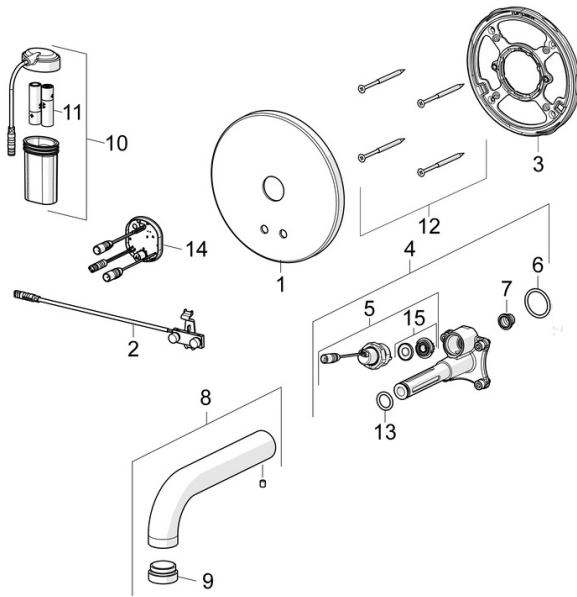
EU Directives **C E EMC Directive 2014/30/EU , RoHS Directive 2011/65/EU**  
 EN standard **EN 15091, ETSI EN 301 489-1 V1.9.2 , ETSI EN 300 328 v2.2.2 , EN 61000-6-1:2007 , EN 61000-6-3:2007+A1:2011+AC:2012 , EN 60335-1:2012+A11+A13+A14+A2+A15:2021, Part 19.11.4**  
 Noise class **I (ISO 3822)**  
 Protection class **IP 55**

### Approvals and Declarations

ABP **PA-IX 10142/IO**  
 UN38.3 **UN38-3 Energizer L91**  
 Declaration of conformity **EMC**



## Spare parts



### SP81802120

	Name	Code
01	Cover plate	59914543
02	Sensor	59914648
03	Fixing part Discontinued	59914545
04	Functional unit	59914546
05	Solenoid valve complete, 3 V	59914125
06	O-ring, 23.47x2.62	59914304
07	Litter filters	59914085
08	Spout, L=310	59914549
09	Aerator, M24x1, -105	59914550
10	Battery casing	59914122
11	Battery, 1.5 V AA Lithium	59914136
12	Screw, M4.5x80	59912890
13	O-ring, d 13.1x2.62	59914551
14	Control unit, 3 V	59914552
15	Membrane for solenoid valve	1006500V
	Membrane Discontinued	59914126