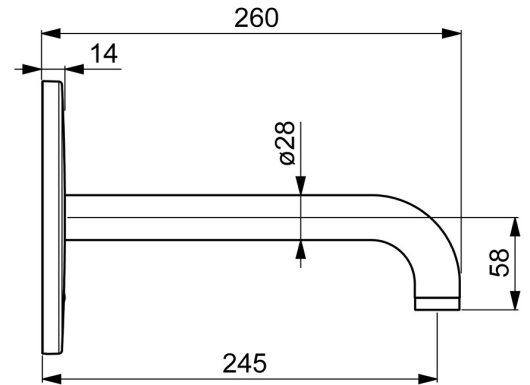
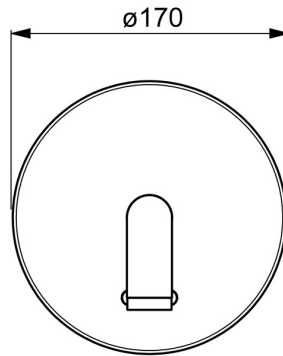
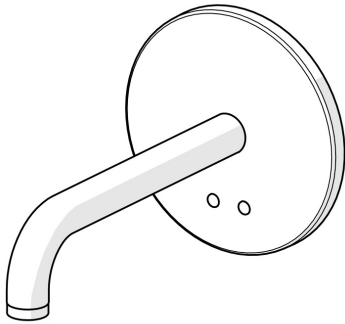


EAN: 4057304016899  
[static.hansa.com/81802119](https://static.hansa.com/81802119)



- Public & Semi-public, Health & Care, Industry
- Trim Kit, Touchless, Battery-operated, External transformer, Bluetooth®
- Concealed wall mounting
- Chrome
- Standard aerator, PCA® - constant flow rate regardless of pressure variations
- Litter filter(s)
- Autofocus infrared sensor, Solenoid valve, External control unit, Light indicated function(s), Low battery indicator
- One inlet for cold or premixed water
- Software settings adjustable via App
- Round rosette
- Without transformer



## Technical data

### Flow properties

Flow-rate at 3 bar (with flow controller) **4.8 l/min**

### Technical properties

Hot water supply **max. +70°C**  
 Working pressure **1-10 bar**  
 Projection **245 mm**  
 Backflow prevention (EN1717) **AA**  
 Material **Brass**

### Software settings

Afterflow period **3 s (1-20 s)**  
 Automatic flush **off (off/1-120 h)**  
 Automatic flush period **30 s (1-1800 s)**  
 Max. flow period **2 min (1 - 1800 s)**

### Electronic properties

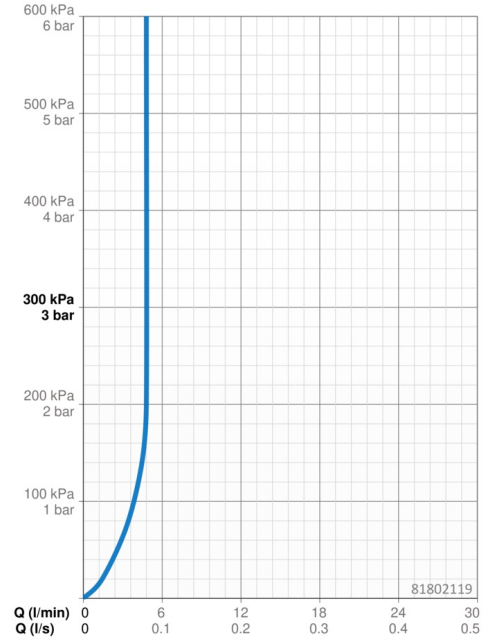
Electrical Connection **12 V**  
 Battery **AA 1.5 V Lithium x 2**  
 Bluetooth version **5.x (D060576)**

### Regulations

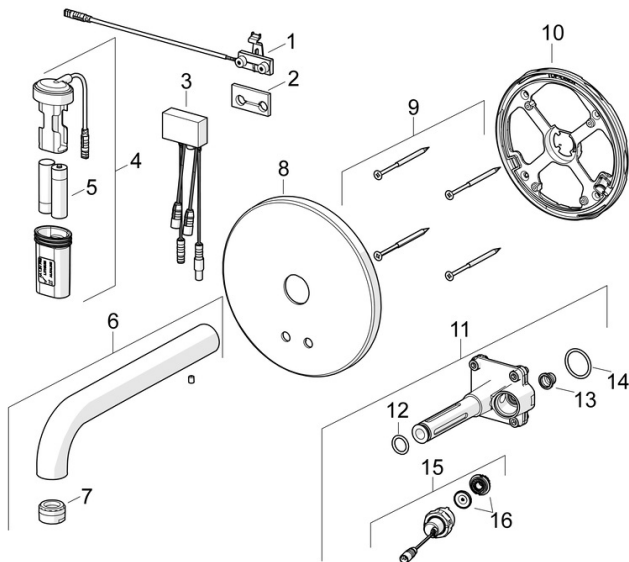
EU Directives **C € Radio Equipment Directive 2014/53/EU , Low Voltage Directive 2014/35/EU , EMC Directive 2014/30/EU , RoHS Directive 2011/65/EU**  
 EN standard **EN 15091, ETSI EN 301 489-1 V1.9.2 , ETSI EN 300 328 v2.2.2 , EN 61000-6-1:2007 , EN 61000-6-3:2007+A1:2011+AC:2012 , EN 60335-1:2012+A11+A13+A1+A14+A2+A15:2021, Part 19.11.4**  
 Noise class **I (ISO 3822)**  
 Protection class **IP 55**

### Approvals and Declarations

ABP **PA-IX 10142/IO**  
 UN38.3 **UN38-3 Energizer L91**  
 Declaration of conformity **RED**



## Spare parts



### SP81802119

	Name	Code
01	Sensor, 245 mm	1010227V
02	Gasket	1010472V
03	Control unit, 3/12 V Bluetooth	1009970V
04	Battery casing	59914122
05	Battery, 1.5 V AA Lithium	59914136
06	Spout, L=170	59914547
06	Spout, L=245	59914548
06	Spout, L=310	59914549
07	Aerator, M24x1, -105	59914550
08	Cover plate	59914543
09	Screw, M4.5x80	59912890
10	Fixing part Discontinued	59914545
11	Functional unit	59914546
12	O-ring, d 13.1x2.62	59914551
13	Litter filters	59914085
14	O-ring, 23.47x2.62	59914304
15	Solenoid valve complete, 3 V	59914125
16	Membrane for solenoid valve	1006500V
16	Membrane Discontinued	59914126