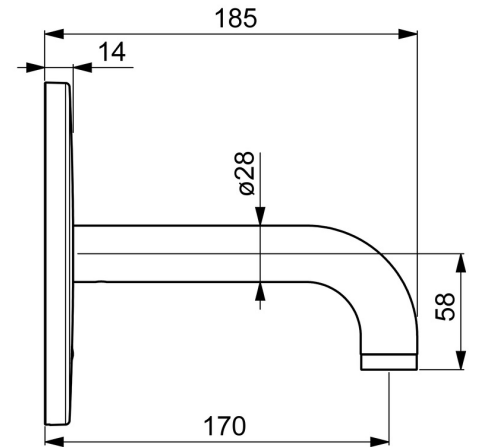
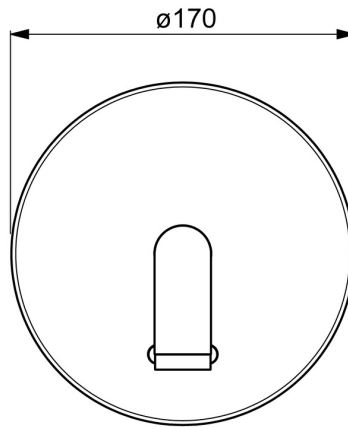
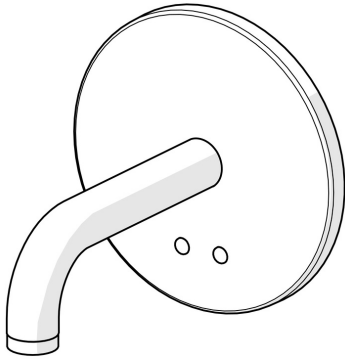


EAN: 4057304004780  
[static.hansa.com/81802100](https://static.hansa.com/81802100)



- Public & Semi-public
- Trim Kit, Touchless, Battery-operated
- Concealed wall mounting
- Chrome
- PCA® - constant flow rate regardless of pressure variations, Standard aerator
- Litter filter(s)
- Autofocus infrared sensor, Solenoid valve, External control unit, Light indicated function(s), Low battery indicator
- One inlet for cold or premixed water
- Software settings adjustable via magnetic key
- Round rosette, BLUECLICK for an easy, screwless trim plate installation



## Technical data

### Flow properties

Flow-rate at 3 bar (with flow controller) **4.8 l/min**

### Technical properties

Hot water supply **max. +70°C**  
 Working pressure **1-10 bar**  
 Projection **170 mm**  
 Material **Brass**

### Software settings

Afterflow period **3 s (1/2/3/4/5/6/7/8/9/10 s)**  
 Automatic flush **off (off/6/12/18/24/30/36/48/60/72 h)**  
 Automatic flush period **30 s (30/60/90/120/180/240/300/360/480/600 s)**  
 Max. flow period **60 s (10/30/60/90/120/150/180/210/240/300 s)**

### Electronic properties

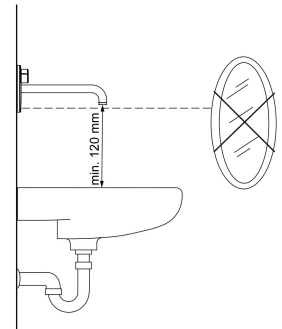
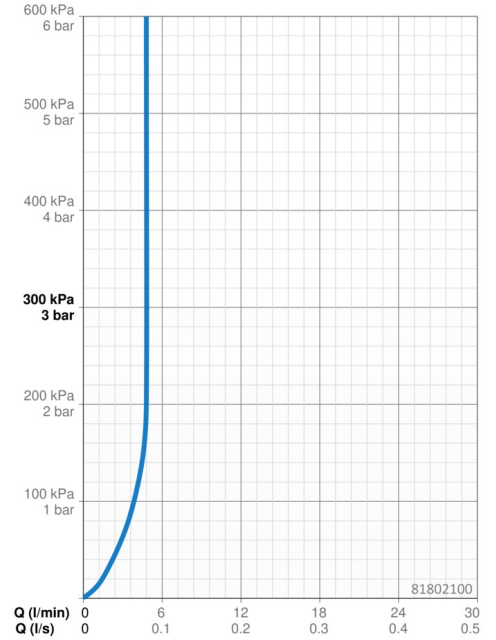
Battery **AA 1.5 V Lithium x 2**

### Regulations

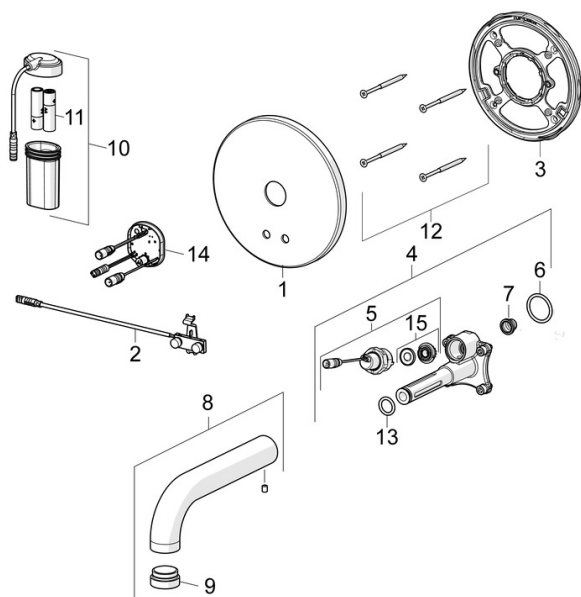
EU Directives **C E EMC Directive 2014/30/EU, RoHS Directive 2011/65/EU**  
 EN standard **EN 15091, ETSI EN 301 489-1 V1.9.2, ETSI EN 300 328 v2.2.2, EN 61000-6-1:2007, EN 61000-6-3:2007+A1:2011+AC:2012, EN 60335-1:2012+A11+A13+A14+A2+A15:2021, Part 19.11.4**  
 Noise class **I (ISO 3822)**  
 Protection class **IP 55**

### Approvals and Declarations

ABP **PA-IX 10142/IO**  
 UN38.3 **UN38-3 Energizer L91**  
 Declaration of conformity **EMC**



## Spare parts



### SP81802100

|    | Name                         | Code     |
|----|------------------------------|----------|
| 01 | Cover plate                  | 59914543 |
| 02 | Sensor                       | 59914647 |
| 03 | Fixing part Discontinued     | 59914545 |
| 04 | Functional unit              | 59914546 |
| 05 | Solenoid valve complete, 3 V | 59914125 |
| 06 | O-ring, 23.47x2.62           | 59914304 |
| 07 | Litter filters               | 59914085 |
| 08 | Spout, L=170                 | 59914547 |
| 09 | Aerator, M24x1, -105         | 59914550 |
| 10 | Battery casing               | 59914122 |
| 11 | Battery, 1.5 V AA Lithium    | 59914136 |
| 12 | Screw, M4.5x80               | 59912890 |
| 13 | O-ring, d 13.1x2.62          | 59914551 |
| 14 | Control unit, 3 V            | 59914552 |
| 15 | Membrane for solenoid valve  | 1006500V |
|    | Membrane Discontinued        | 59914126 |