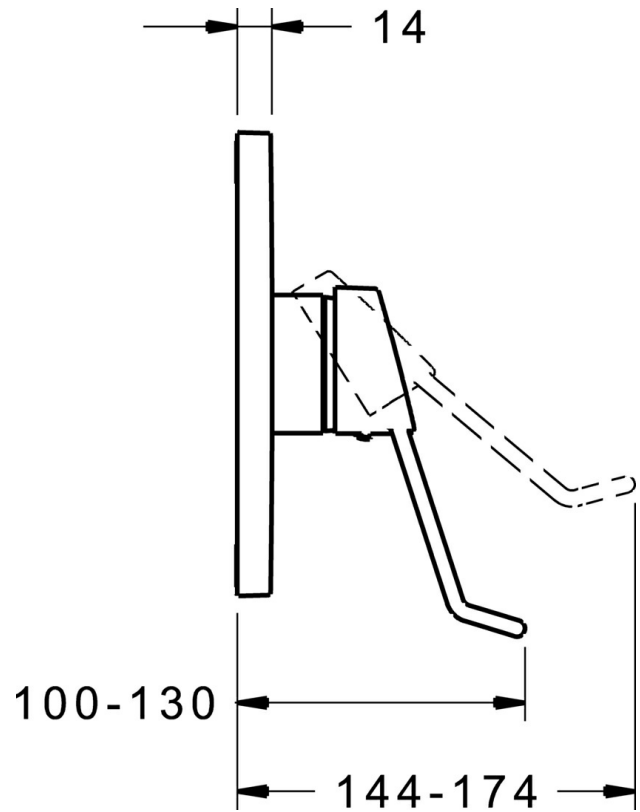
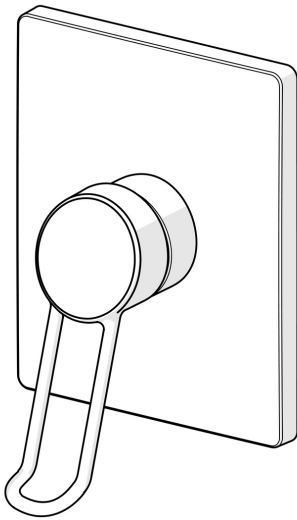


EAN: 4015474287181  
[static.hansa.com/81479076](https://static.hansa.com/81479076)



- Health & Care
- Single-lever, Trim Kit
- Concealed wall mounting
- Chrome
- Long shape, Hot/Cold symbols, Loop shape, Single operating lever/handle
- Limitation option for maximum temperature and flow-rate, Adjustable hot water stop (included, retrofittable)
- $\varnothing$  48 mm ceramic eco cartridge for flow and temperature control
- Square rosette, BLUECLICK for an easy, screwless trim plate installation



## Technical data

### Flow properties

Flow-rate at 3 bar **28.2 l/min**

### Technical properties

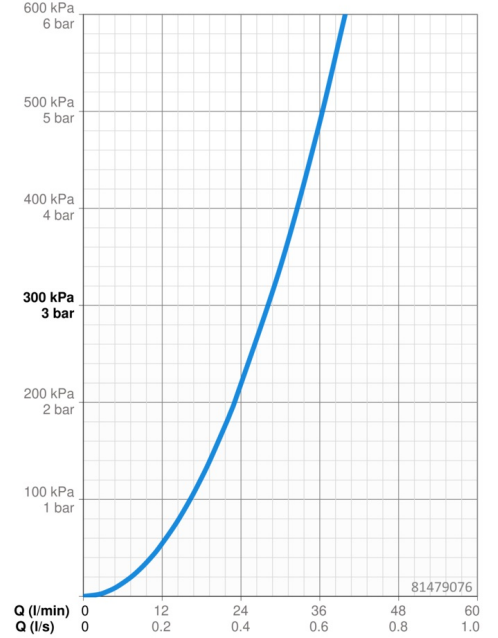
Hot water supply **max. +80°C**  
Working pressure **0.5-10 bar**

### Regulations

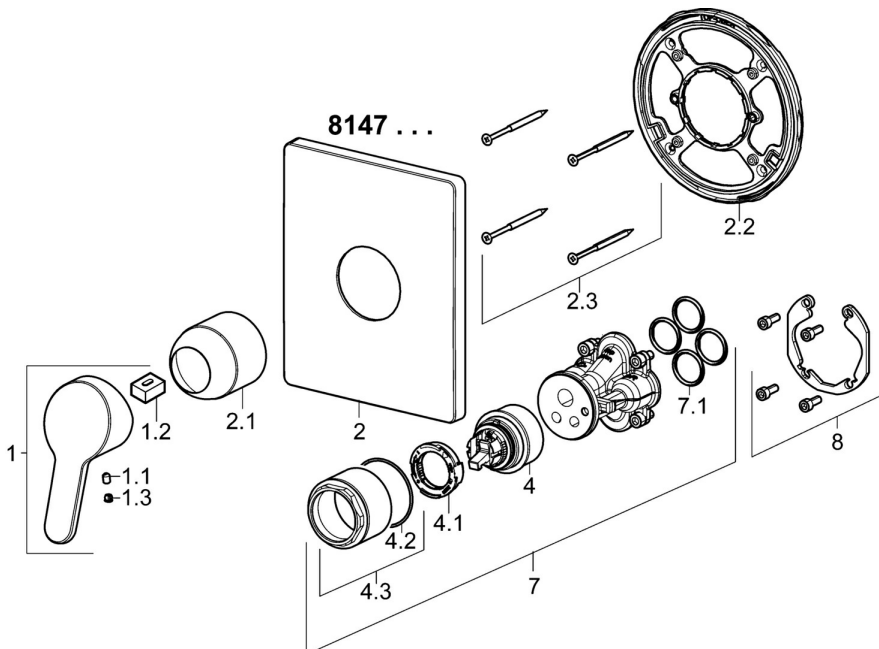
EN standard **EN 817**  
Noise class **I (ISO 3822)**

### Approvals and Declarations

DVGW **DW-6506CS0196**



## Spare parts



### SP81479073

	Name	Code
1	Lever, L=110 Discontinued	01580076
1	Lever, L=86 mm	01580073
1.1	Screw, M5x8, SW2.5	59904755
1.2	Bushing	59904778
1.3	Symbol plug Grey	59912112
2	Cover flange	59914326
2.1	Covering cap	59911172
2.2	Fixing part	59914296
2.3	Screw, M4.5x80	59912890
4	Cartridge, 4.8 eco	59904601
4.1	Hot water limiter	59904759
4.2	O-ring, 50.52x1.78	59906841
4.3	Eye screw, M50x1, SW45	59912980
7	Functional unit	59914292
7.1	O-ring, 23.47x2.62	59914304
8	Installation kit	59914186
N.I.	Fixing screw, M6x13	59914657
N.I.	Raising kit, 15 mm	59914182
N.I.	Adapter, H/C reversed	59914184