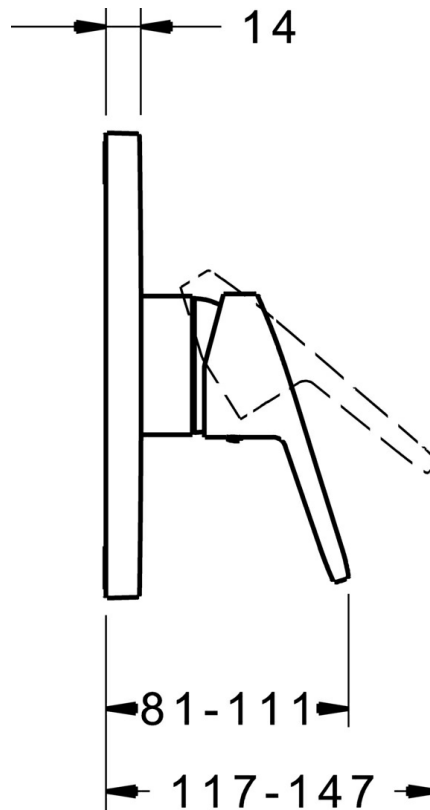
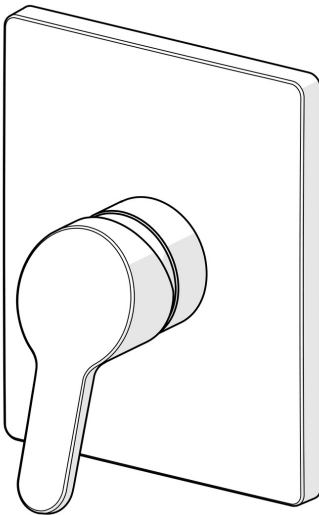


EAN: 4015474287174
static.hansa.com/81479073



- Shower solutions
- Single-lever, Trim Kit
- Concealed wall mounting
- Chrome
- Hot/Cold symbols, Single operating lever/handle
- Limitation option for maximum temperature and flow-rate, Adjustable hot water stop (included, retrofittable)
- ϕ 48 mm ceramic eco cartridge for flow and temperature control
- Square rosette, BLUECLICK for an easy, screwless trim plate installation



Technical data

Flow properties

Eco-flow at 3 bar	13.8 l/min
Flow-rate at 3 bar	28.2 l/min

Technical properties

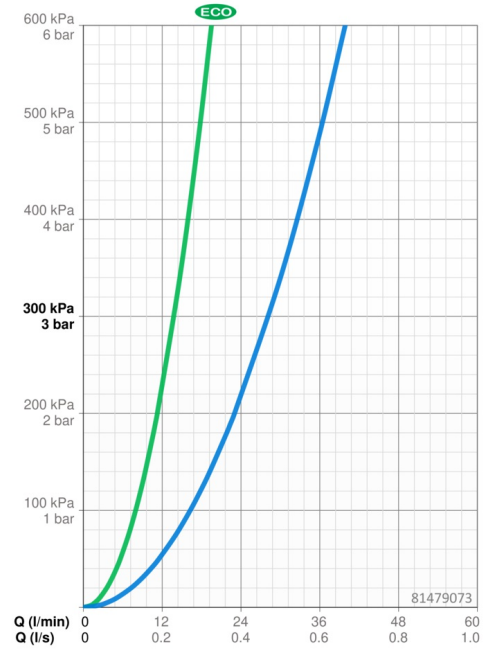
Hot water supply	max. +80°C
Working pressure	0.5-10 bar

Regulations

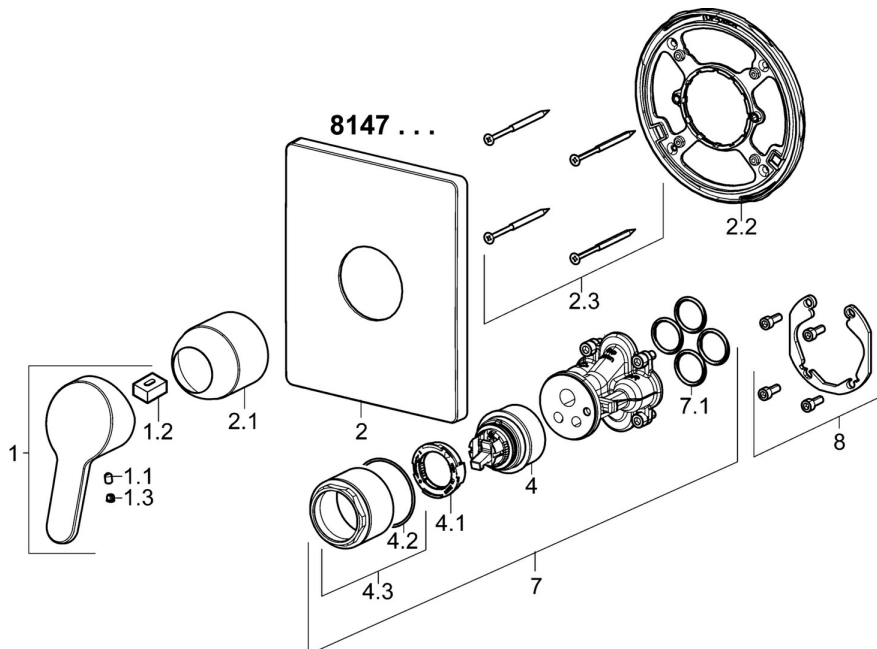
EN standard	EN 817
Noise class	I (ISO 3822)

Approvals and Declarations

DVGW	DW-6506CS0196
------	----------------------



Spare parts



SP81479073

	Name	Code
1	Lever, L=110 Discontinued	01580076
1	Lever, L=86 mm	01580073
1.1	Screw, M5x8, SW2.5	59904755
1.2	Bushing	59904778
1.3	Symbol plug Grey	59912112
2	Cover flange	59914326
2.1	Covering cap	59911172
2.2	Fixing part	59914296
2.3	Screw, M4.5x80	59912890
4	Cartridge, 4.8 eco	59904601
4.1	Hot water limiter	59904759
4.2	O-ring, 50.52x1.78	59906841
4.3	Eye screw, M50x1, SW45	59912980
7	Functional unit	59914292
7.1	O-ring, 23.47x2.62	59914304
8	Installation kit	59914186
N.I.	Fixing screw, M6x13	59914657
N.I.	Raising kit, 15 mm	59914182
N.I.	Adapter, H/C reversed	59914184