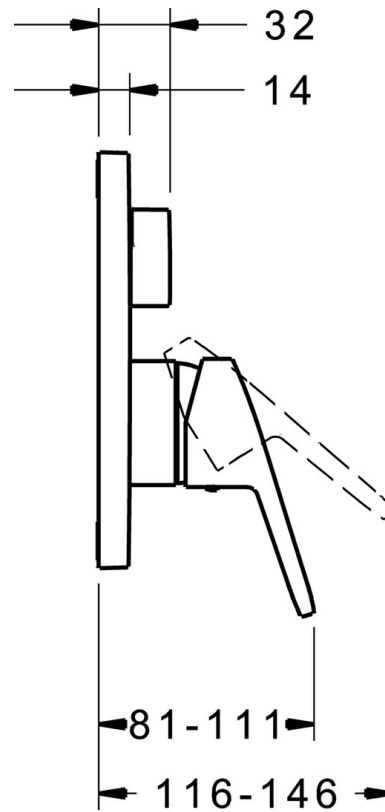
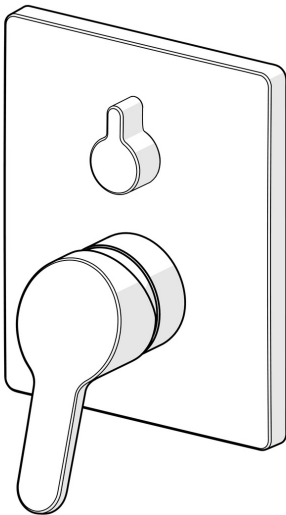


EAN: 4015474286344
static.hansa.com/81469073



- Bathtub & Shower
- Single-lever, Trim Kit
- Concealed wall mounting
- Chrome
- Hot/Cold symbols, Single operating lever/handle
- Turn operated diverter
- Limitation option for maximum temperature and flow-rate, Adjustable hot water stop (included, retrofittable)
- ϕ 48 mm ceramic eco cartridge for flow and temperature control
- Inner body made of DZR brass
- Square rosette, Fastening of the function unit with screws, BLUECLICK for an easy, screwless trim plate installation, BLUETUNE alignment after installation of +/- 3,5°



Technical data

Flow properties

Flow-rate at 3 bar **25.2 / 25.2 l/min**

Technical properties

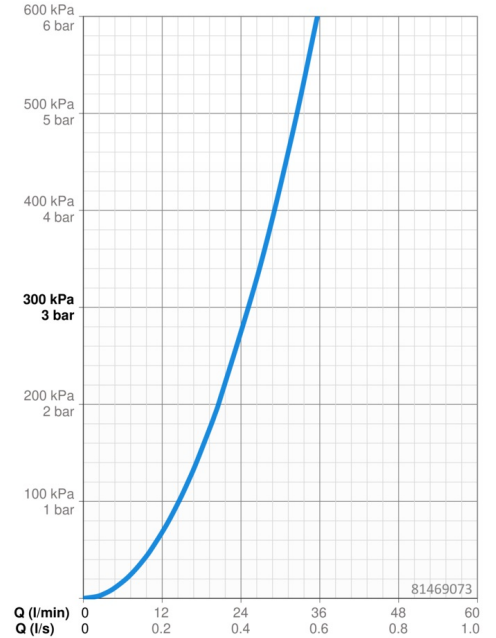
Hot water supply **max. +80°C**
Working pressure **0.5-10 bar**

Regulations

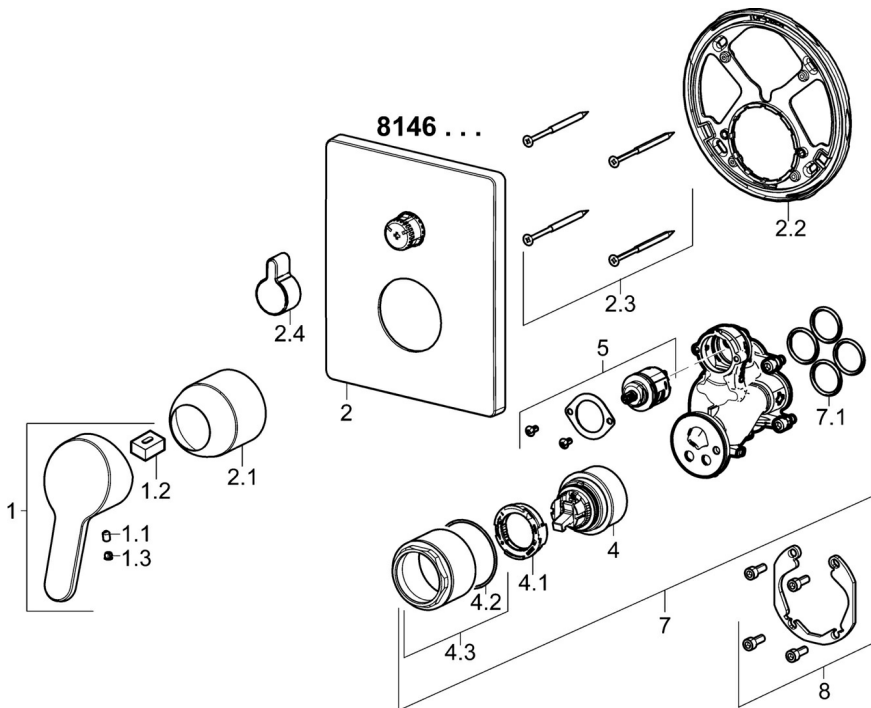
EN standard **EN 817**
Noise class **I (ISO 3822)**

Approvals and Declarations

DVGW **DW-6506CS0196**



Spare parts



SP81469073

	Name	Code
1	Lever, L=86 mm	01580073
1.1	Screw, M5x8, SW2.5	59904755
1.2	Bushing	59904778
1.3	Symbol plug Grey	59912112
2	Cover flange	59914325
2.1	Covering cap	59911172
2.2	Fixing part	59914307
2.3	Screw, M4.5x80	59912890
2.4	Diverter knob	59914324
4	Cartridge, 4.8 eco	59904601
4.1	Hot water limiter	59904759
4.2	O-ring, 50.52x1.78	59906841
4.3	Eye screw, M50x1, SW45	59912980
5	Diverter	59914183
7	Functional unit, 4.8	59914321
7.1	O-ring, 23.47x2.62	59914304
8	Installation kit	59914186
N.I.	Diverter, 120°	59914655
N.I.	Fixing screw, M6x13	59914657
N.I.	Raising kit, 15 mm	59914182
N.I.	Screwdriver, 5 mm	59914334
N.I.	Adapter, H/C reversed	59914184