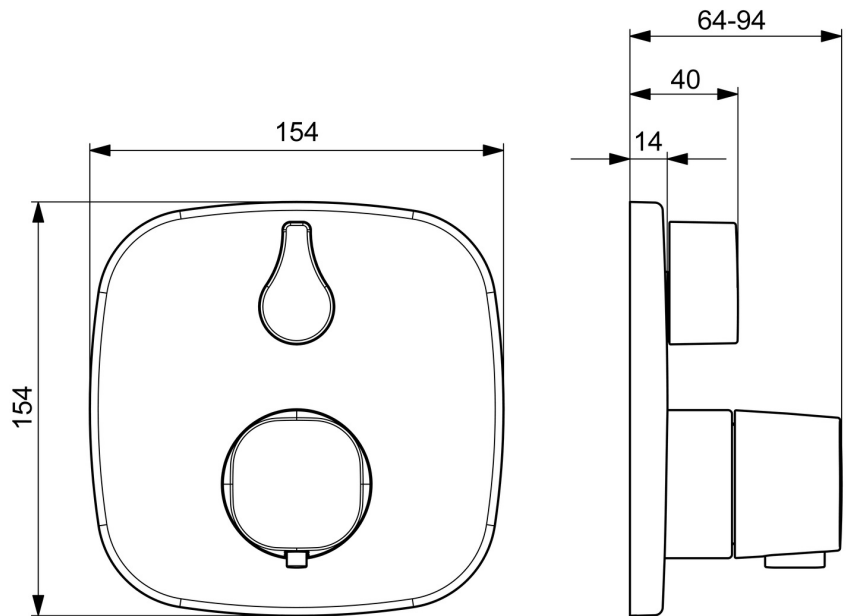
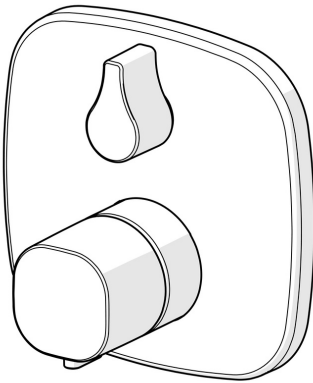


EAN: 4057304004711
static.hansa.com/81149572



- Bathtub & Shower
- Trim Kit, Thermostatic
- Concealed wall mounting
- Chrome
- Temperature control handle, Flow control handle
- Turn operated diverter
- Safety stop against scalding at 38°C
- Thermostatic cartridge for automatic temperature control, Non-return valve(s)
- Inner body made of DZR brass, Manual, ceramic, pressure independent diverter with volume control and stop function for two outlets
- Rosette plate frame, Soft edge rosette, Sleeve, Fastening of the function unit with screws, BLUECLICK for an easy, screwless trim plate installation, BLUETUNE alignment after installation of +/- 3,5°



Technical data

Flow properties

Flow-rate at 3 bar	20.4 / 20.4 l/min
Pressure loss with flow (0.2 l/s)	1 bar
Pressure loss with flow (0.3 l/s)	3 bar

Technical properties

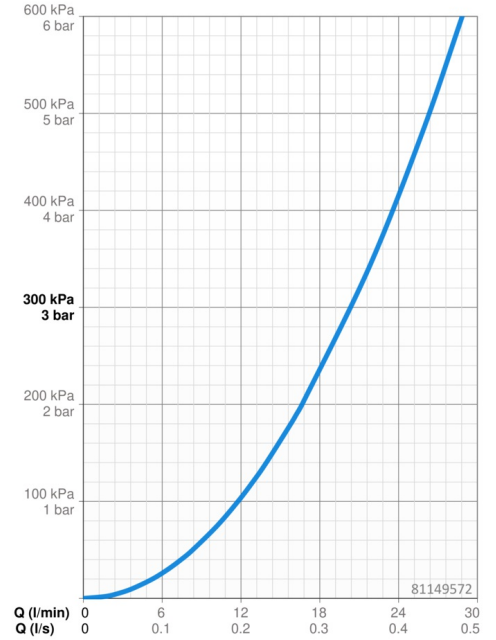
DN-size (nominal dimension)	DN15
Hot water supply	max. +80°C
Working pressure	0.5-10 bar
Backflow prevention (EN1717)	EB
Material	Brass

Regulations

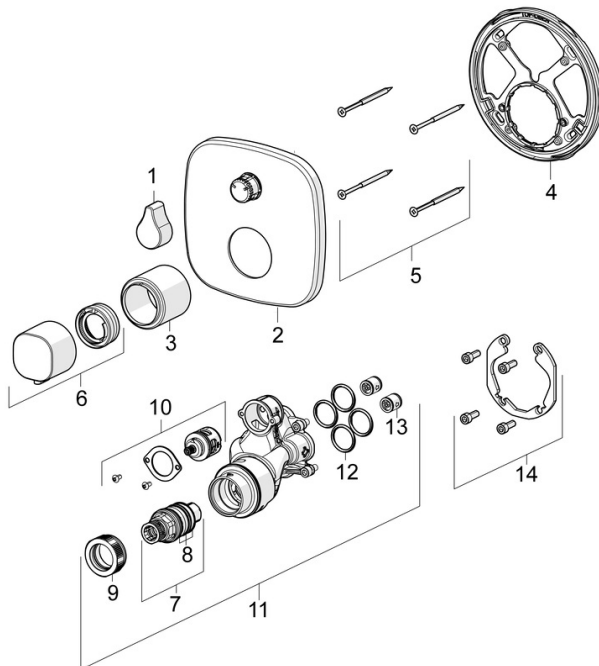
EN standard	EN 1111
Noise class	I (ISO 3822)

Approvals and Declarations

DVGW	DW-6509CS0197
ABP	PA-IX 38188/IDD
Declaration of conformity	DoC
EPD	S-P-07752



Spare parts



SP81149572

	Name	Code
01	Flow control handle	59914577
02	Cover plate, 154x154 mm	59914578
03	Cover sleeve	59914294
04	Fixing part	59914307
05	Screw, M4,5x80	59912890
06	Temperature control handle	59914295
07	Thermostatic cartridge, 3.4	59914114
08	O-ring kit	59914113
09	Tightening nut, M36x1.5, SW38	59914319
10	Diverter	59914183
11	Functional unit, 81143572	59914314
11	Functional unit, (8114, 8862)	59914311
12	O-ring, 23.47x2.62	59914304
13	Non-return valve	59905714
14	Installation kit	59914186
N.I.	Raising kit, 15 mm	59914182
N.I.	Fixing screw, M6x13	59914657
N.I.	Temperature adjustment limiter	59914426
N.I.	Diverter, 240°	59914656
N.I.	Adapter, H/C reversed	59914184