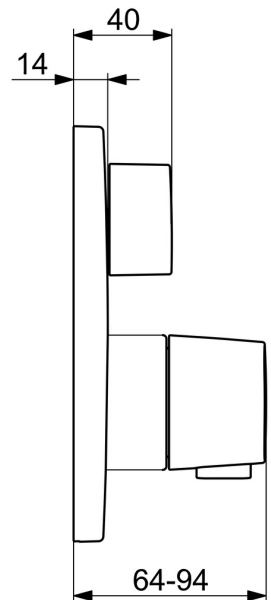
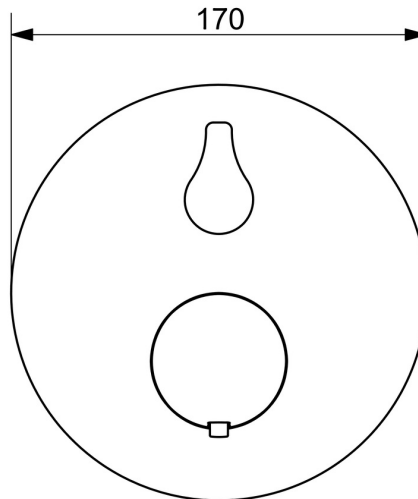
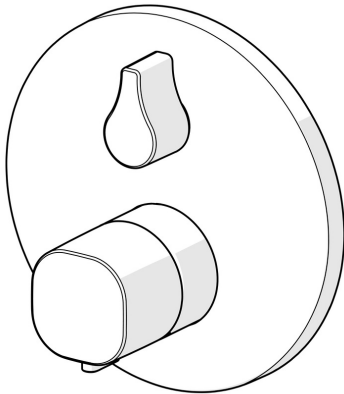


EAN: 4015474279018
static.hansa.com/81149552



- Bathtub & Shower
- Trim Kit, Thermostatic
- Concealed wall mounting
- Chrome
- Temperature control handle, Flow control handle
- Turn operated diverter
- Safety stop against scalding at 38°C
- Thermostatic cartridge for automatic temperature control, Non-return valve(s)
- Inner body made of DZR brass, Manual, ceramic, pressure independent diverter with volume control and stop function for two outlets
- Round rosette, Sleeve, Fastening of the function unit with screws, BLUECLICK for an easy, screwless trim plate installation, BLUETUNE alignment after installation of +/- 3,5°



Technical data

Flow properties

Flow-rate at 3 bar **20.4 / 20.4 l/min**

Technical properties

DN-size (nominal dimension) **DN15**
 Hot water supply **max. +80°C**
 Working pressure **0.5-10 bar**
 Backflow prevention (EN1717) **EB**

Regulations

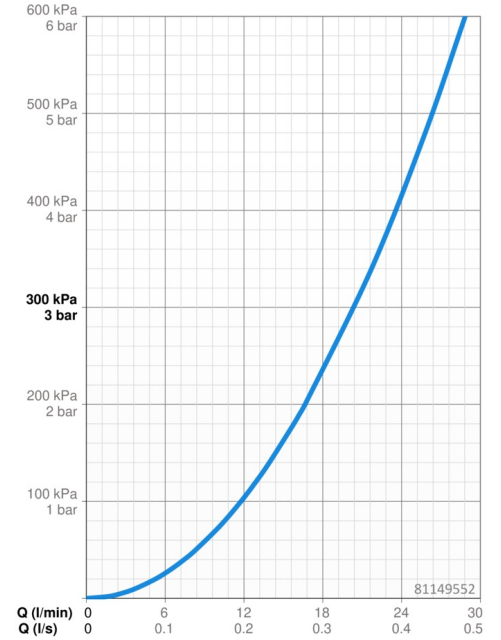
EN standard **EN 1111**
 Noise class **I (ISO 3822)**

Approvals and Declarations

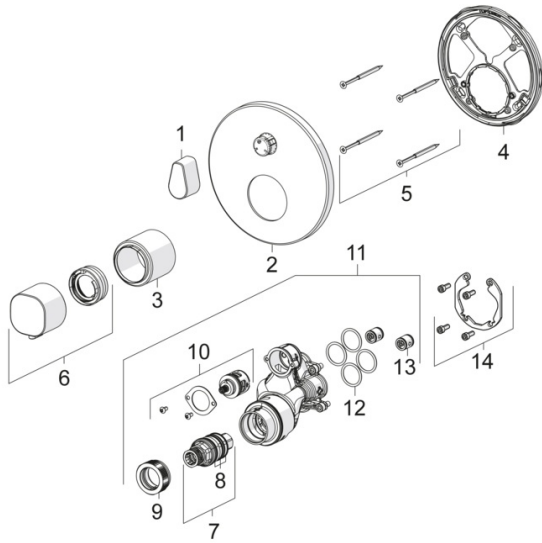
DVGW **DW-6509CS0197**
 ABP **PA-IX 38188/IDD**
 Declaration of conformity **DoC**
 EPD **S-P-07752**

Sustainability

EPD module A1 (kg CO2 eq.) **13,78**
 EPD module A2 (kg CO2 eq.) **0,44**
 EPD module A3 (kg CO2 eq.) **8,60**
 EPD module A1-A3 (kg CO2 eq.) **22,74**
 EPD module A4 (kg CO2 eq.) **0,38**
 EPD module B7 (kg CO2 eq.) **3937,20**
 EPD module C2 (kg CO2 eq.) **0,02**
 EPD module C3 (kg CO2 eq.) **0,02**
 EPD module C4 (kg CO2 eq.) **0,30**
 EPD module D (kg CO2 eq.) **-7,03**



Spare parts



SP81139552

	Name	Code
01	Flow control handle	59914577
02	Cover flange, d 170 mm	59914317
03	Cover sleeve	59914294
04	Fixing part	59914307
05	Screw, M4.5x80	59912890
06	Temperature control handle	59914295
07	Thermostatic cartridge, 3.4	59914114
08	O-ring kit	59914113
09	Tightening nut, M36x1.5, SW38	59914319
10	Diverter	59914183
11	Functional unit, (8114, 8862)	59914311
11	Functional unit, (8113, 8861)	59914316
12	O-ring, 23.47x2.62	59914304
13	Non-return valve	59905714
14	Installation kit	59914186
N.I.	Raising kit, 15 mm, d 170 mm	59914191
N.I.	Adapter, H/C reversed	59914184
N.I.	Raising kit, 15 mm	59914182
N.I.	Fixing screw, M6x13	59914657
N.I.	Diverter, 240°	59914656
N.I.	Temperature adjustment limiter, max 38°C	59914619
N.I.	Diverter, 120°	59914655