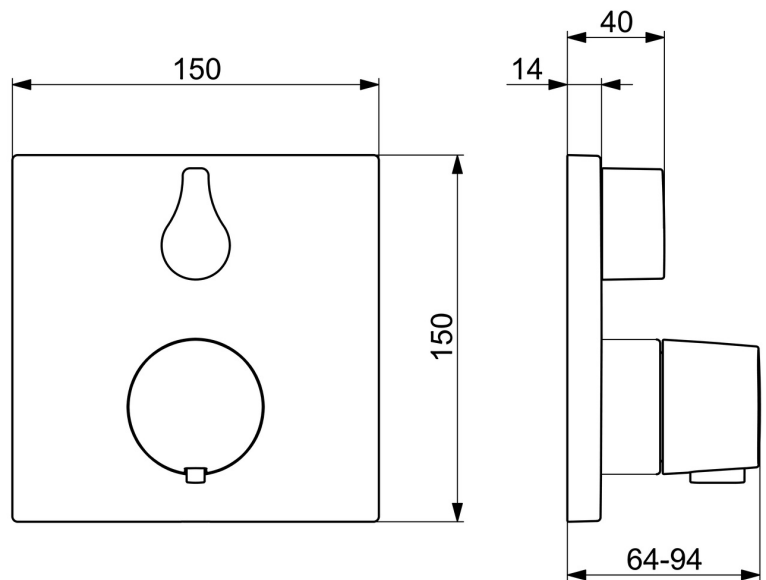
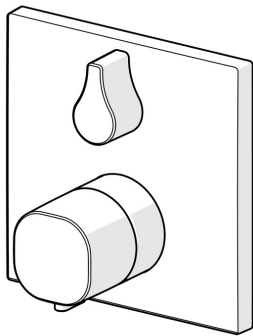


EAN: 4015474278998  
[static.hansa.com/81143562](https://static.hansa.com/81143562)



- Bathtub & Shower
- Trim Kit, Thermostatic
- Concealed wall mounting
- Chrome
- Temperature control handle, Flow control handle
- Turn operated diverter
- Safety stop against scalding at 38°C
- Thermostatic cartridge for automatic temperature control, Vacuum breaker, Non-return valve(s)
- Silencer(s)
- Inner body made of DZR brass, Manual, ceramic, pressure independent diverter with volume control and stop function for two outlets
- Square rosette, Fastening of the function unit with screws, BLUECLICK for an easy, screwless trim plate installation, BLUETUNE alignment after installation of +/- 3,5°



## Technical data

### Flow properties

Flow-rate at 3 bar **20.4 / 20.4 l/min**

### Technical properties

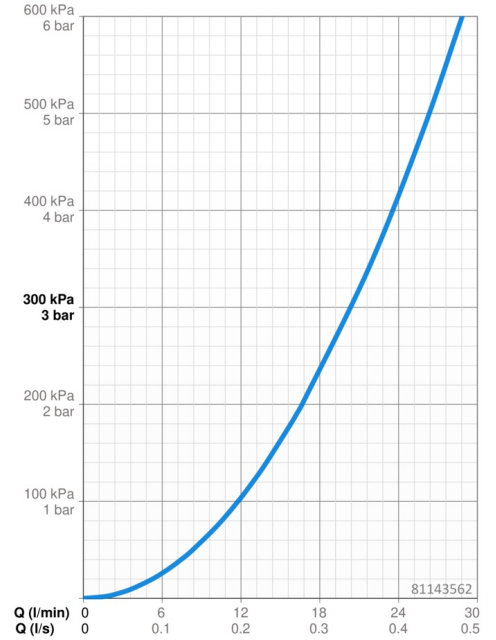
Hot water supply **max. +80°C**  
 Working pressure **1-10 bar**  
 Backflow prevention (EN1717) **HD**

### Regulations

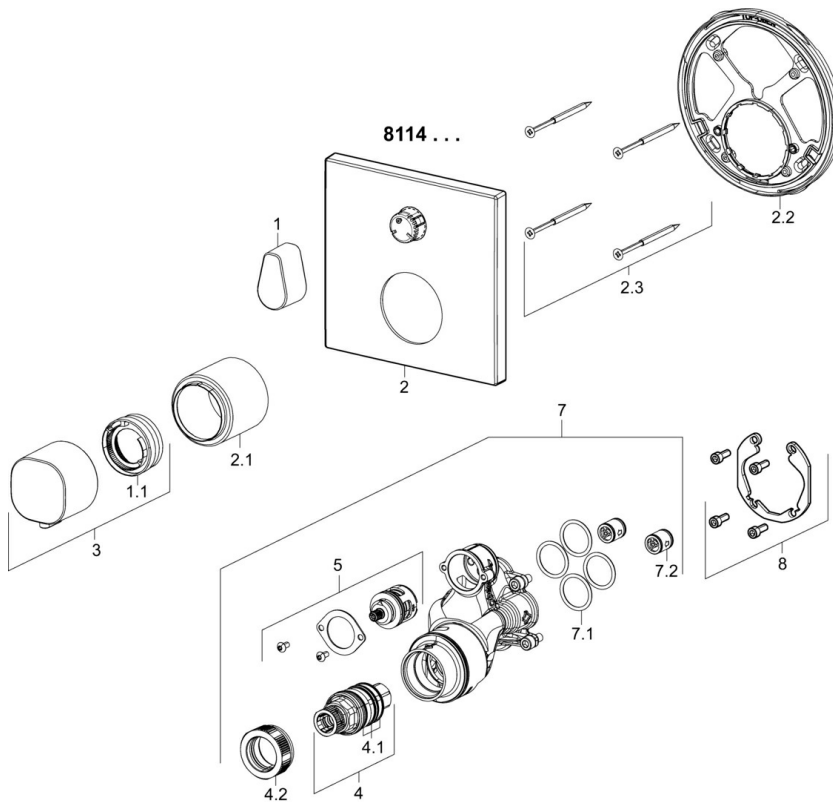
EN standard **EN 1111**  
 Noise class **I (ISO 3822)**

### Approvals and Declarations

DVGW **DW-6509CS0197**  
 ABP **PA-IX 38189/IDD**  
 Declaration of conformity **DoC**



## Spare parts



### SP81143562

	Name	Code
1	Flow control handle	59914577
1.1	Temperature adjustment limiter	59914426
2	Cover flange, 150x150 mm	59914315
2.1	Cover sleeve	59914294
2.2	Fixing part	59914307
2.3	Screw, M4,5x80	59912890
3	Temperature control handle	59914295
4	Thermostatic cartridge, 3.4	59914114
4.1	O-ring kit	59914113
4.2	Tightening nut, M36x1.5, SW38	59914319
5	Diverter	59914183
7	Functional unit, 81143572	59914314
7.1	O-ring, 23.47x2.62	59914304
7.2	Non-return valve	59905714
8	Installation kit	59914186
N.I.	Adapter, H/C reversed	59914184
N.I.	Raising kit, 15 mm	59914182
N.I.	Silencer	59904792
N.I.	Fixing screw, M6x13	59914657
N.I.	Diverter, 240°	59914656
N.I.	Screwdriver, 5 mm	59914334
N.I.	Temperature adjustment limiter, max 38°C	59914619
N.I.	Raising kit, 15 mm, 150x150 mm	59914192