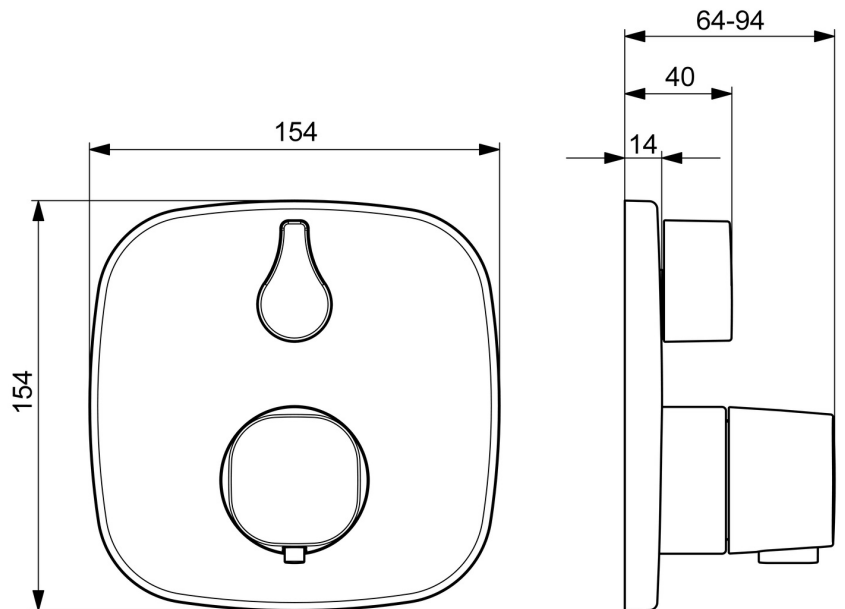
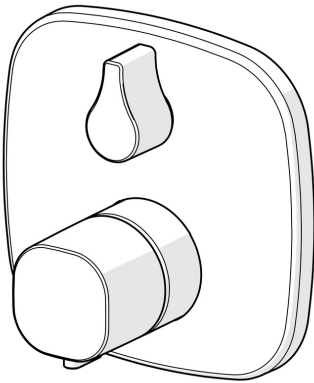


EAN: 4057304004742  
[static.hansa.com/81139572](http://static.hansa.com/81139572)



- Shower solutions
- Trim Kit, Thermostatic
- Concealed wall mounting
- Chrome
- Temperature control handle, Flow control handle
- Safety stop against scalding at 38°C
- Thermostatic cartridge for automatic temperature control, Ceramic head part for flow control, Non-return valve(s)
- Inner body made of DZR brass
- Rosette plate frame, Soft edge rosette, Sleeve, Fastening of the function unit with screws, BLUECLICK for an easy, screwless trim plate installation, BLUETUNE alignment after installation of +/- 3,5°



## Technical data

### Flow properties

Flow-rate at 3 bar	<b>20.4 l/min</b>
Pressure loss with flow (0.2 l/s)	<b>1 bar</b>

### Technical properties

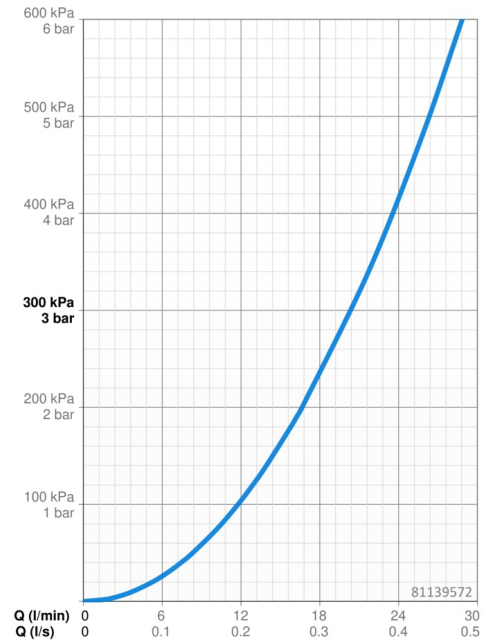
Hot water supply	<b>max. +80°C</b>
Working pressure	<b>0.5-10 bar</b>
Backflow prevention (EN1717)	<b>EB</b>
Material	<b>Brass</b>

### Regulations

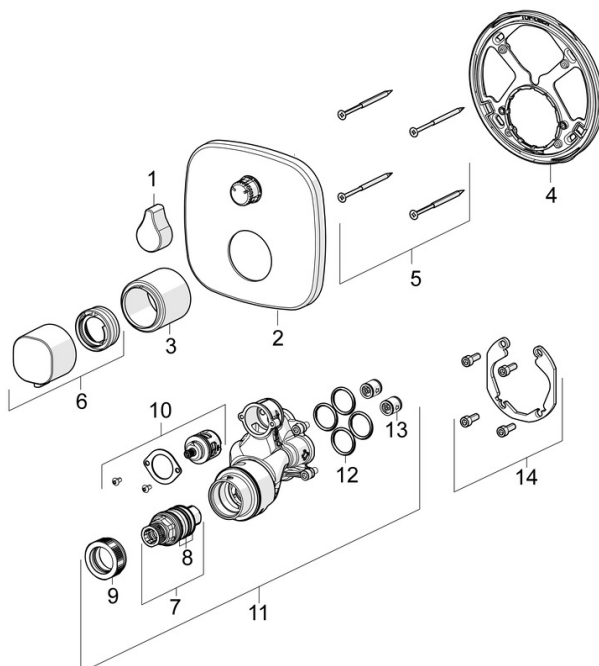
EN standard	<b>EN 1111</b>
Noise class	<b>I (ISO 3822)</b>

### Approvals and Declarations

DVGW	<b>DW-6509CS0197</b>
ABP	<b>PA-IX 38187/IC</b>
Declaration of conformity	<b>DoC</b>
EPD	<b>S-P-07752</b>



## Spare parts



### SP81139572

	Name	Code
01	Flow control handle	59914577
02	Cover plate, 154x154 mm	59914578
03	Cover sleeve	59914294
04	Fixing part	59914307
05	Screw, M4.5x80	59912890
06	Temperature control handle	59914295
07	Thermostatic cartridge, 3.4	59914114
08	O-ring kit	59914113
09	Tightening nut, M36x1.5, SW38	59914319
10	Diverter	59914183
11	Functional unit, (8113, 8861)	59914316
12	O-ring, 23.47x2.62	59914304
13	Non-return valve	59905714
14	Installation kit	59914186
15	Diverter, 240°	59914656
N.I.	Raising kit, 15 mm	59914182
N.I.	Temperature adjustment limiter	59914426
N.I.	Diverter, 120°	59914655
N.I.	Adapter, H/C reversed	59914184