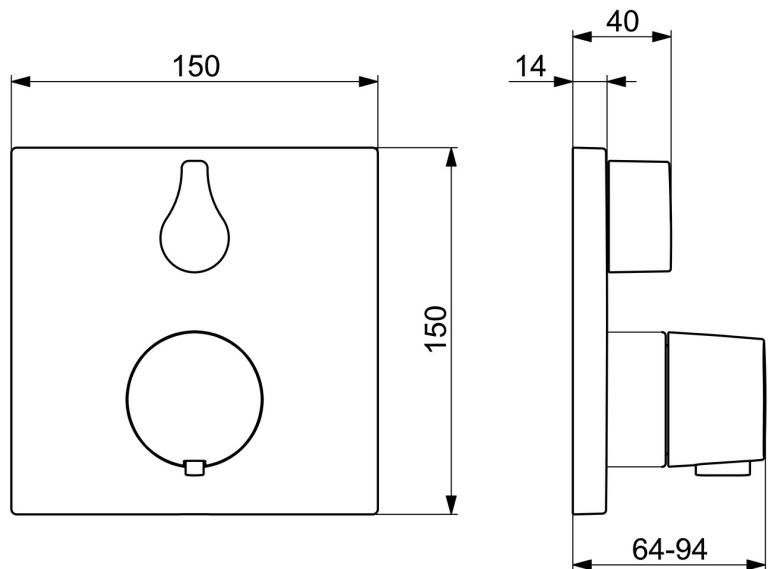
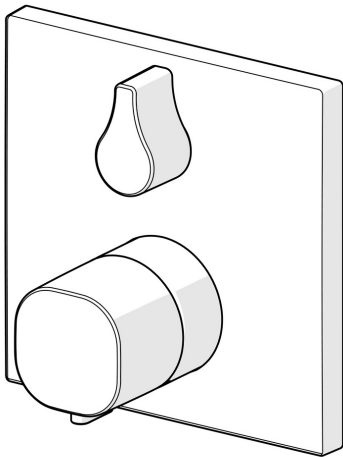


EAN: 4057304015830
static.hansa.com/8113956233



- Shower solutions
- Trim Kit, Thermostatic
- Concealed wall mounting
- Matt black
- Temperature control handle, Flow control handle
- Safety stop against scalding at 38°C
- Ceramic head part for flow control, Thermostatic cartridge for automatic temperature control, Non-return valve(s)
- Inner body made of DZR brass
- Square rosette, Fastening of the function unit with screws, BLUECLICK for an easy, screwless trim plate installation, BLUETUNE alignment after installation of +/- 3,5°



Technical data

Flow properties

Flow-rate at 3 bar **20.4 l/min**

Technical properties

Hot water supply **max. +80°C**
 Working pressure **1-10 bar**
 Backflow prevention (EN1717) **EB**

Regulations

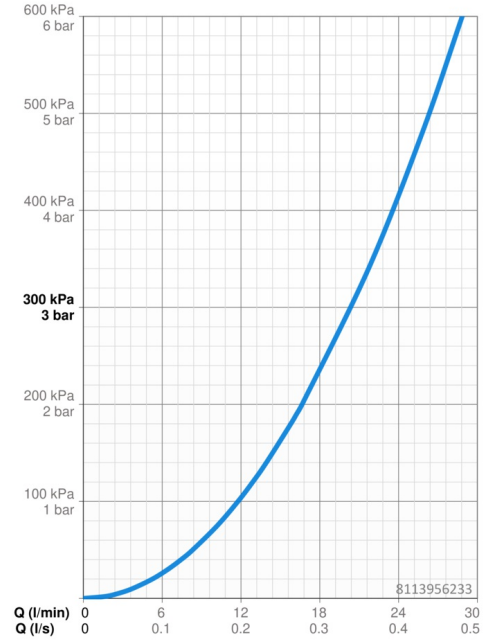
EN standard **EN 1111**
 Noise class **I (ISO 3822)**

Approvals and Declarations

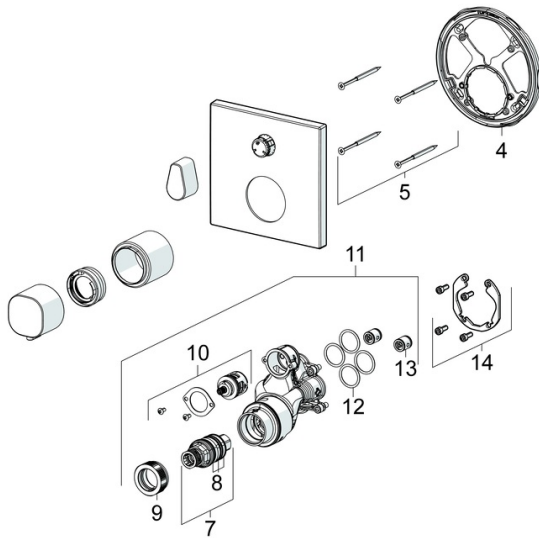
DVGW **DW-6509CS0197**
 ABP **PA-IX 38187/IC**
 Declaration of conformity **DoC**
 EPD **S-P-07752**

Sustainability

EPD module A1 (kg CO2 eq.) **14,31**
 EPD module A2 (kg CO2 eq.) **0,45**
 EPD module A3 (kg CO2 eq.) **8,93**
 EPD module A1-A3 (kg CO2 eq.) **23,60**
 EPD module A4 (kg CO2 eq.) **0,39**
 EPD module B7 (kg CO2 eq.) **3937,20**
 EPD module C2 (kg CO2 eq.) **0,02**
 EPD module C3 (kg CO2 eq.) **0,02**
 EPD module C4 (kg CO2 eq.) **0,31**
 EPD module D (kg CO2 eq.) **-7,30**



Spare parts



SP8113956233

	Name	Code
04	Fixing part	59914307
05	Screw, M4.5x80	59912890
07	Thermostatic cartridge, 3.4	59914114
08	O-ring kit	59914113
09	Tightening nut, M36x1.5, SW38	59914319
10	Diverter	59914183
11	Functional unit, (8114, 8862)	59914311
11	Functional unit, (8113, 8861)	59914316
12	O-ring, 23.47x2.62	59914304
13	Non-return valve	59905714
14	Installation kit	59914186
N.I.	Raising kit, 15 mm	59914182
N.I.	Adapter, H/C reversed	59914184