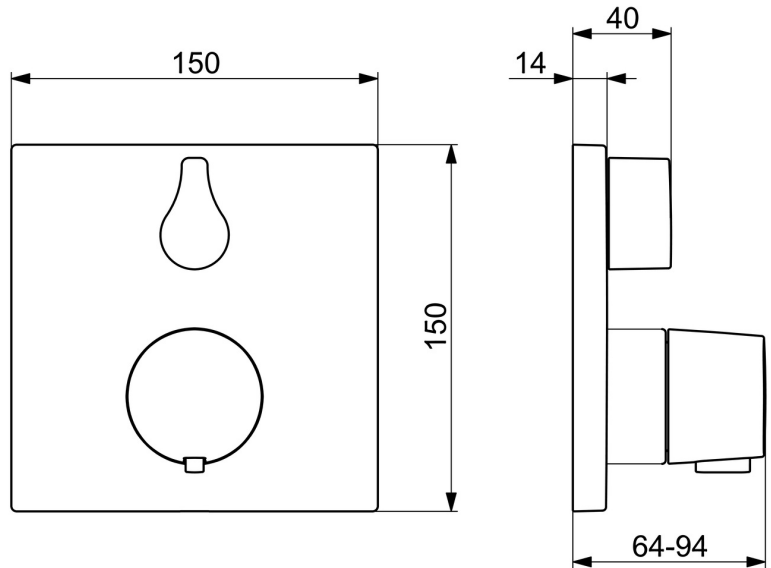
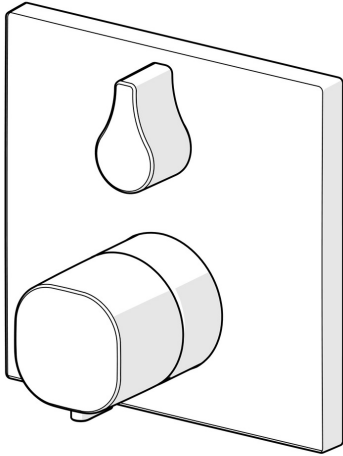


EAN: 4015474278967  
[static.hansa.com/81139562](https://static.hansa.com/81139562)



- Shower solutions
- Trim Kit, Thermostatic
- Concealed wall mounting
- Chrome
- Temperature control handle, Flow control handle
- Safety stop against scalding at 38°C
- Ceramic head part for flow control, Thermostatic cartridge for automatic temperature control, Non-return valve(s)
- Inner body made of DZR brass
- Square rosette, Fastening of the function unit with screws, BLUECLICK for an easy, screwless trim plate installation, BLUETUNE alignment after installation of +/- 3,5°



## Technical data

### Flow properties

Flow-rate at 3 bar **20.4 l/min**

### Technical properties

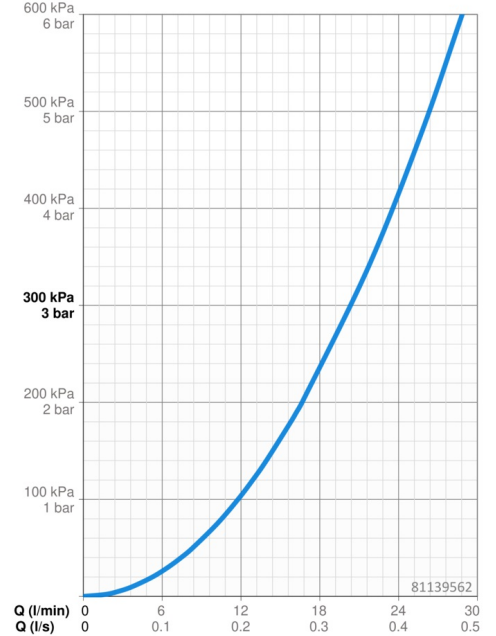
Hot water supply **max. +80°C**  
 Working pressure **1-10 bar**  
 Backflow prevention (EN1717) **EB**

### Regulations

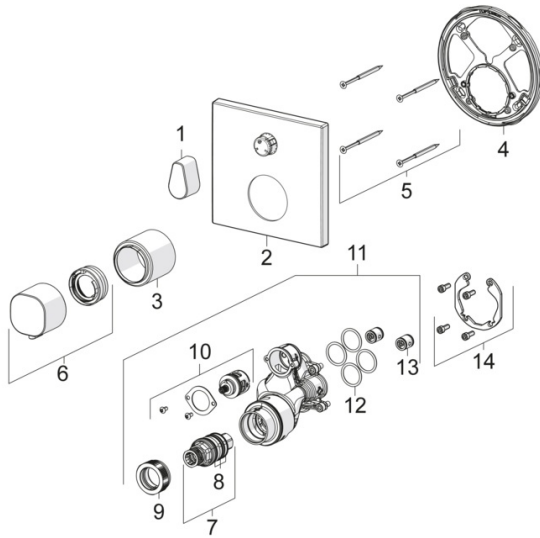
EN standard **EN 1111**  
 Noise class **I (ISO 3822)**

### Approvals and Declarations

DVGW **DW-6509CS0197**  
 ABP **PA-IX 38187/IC**  
 Declaration of conformity **DoC**  
 EPD **S-P-07752**



## Spare parts



### SP81139562

	Name	Code
01	Flow control handle	59914577
02	Cover flange, 150x150 mm	59914315
03	Cover sleeve	59914294
04	Fixing part	59914307
05	Screw, M4.5x80	59912890
06	Temperature control handle	59914295
07	Thermostatic cartridge, 3.4	59914114
08	O-ring kit	59914113
09	Tightening nut, M36x1.5, SW38	59914319
10	Diverter	59914183
11	Functional unit, (8114, 8862)	59914311
11	Functional unit, (8113, 8861)	59914316
12	O-ring, 23.47x2.62	59914304
13	Non-return valve	59905714
14	Installation kit	59914186
N.I.	Raising kit, 15 mm, 150x150 mm	59914192
N.I.	Adapter, H/C reversed	59914184
N.I.	Raising kit, 15 mm	59914182
N.I.	Fixing screw, M6x13	59914657
N.I.	Diverter, 240°	59914656
N.I.	Temperature adjustment limiter, max 38°C	59914619
N.I.	Diverter, 120°	59914655