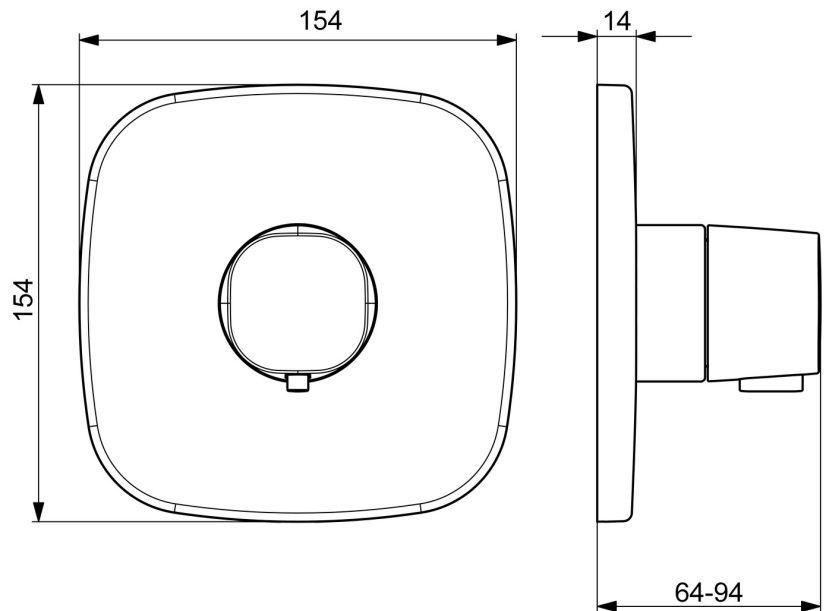
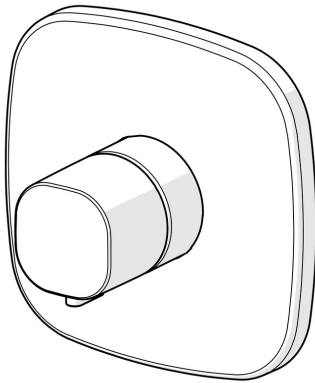


EAN: 4057304004766
static.hansa.com/81129583



- Shower solutions
- Trim Kit, Thermostatic
- Concealed wall mounting
- Chrome
- Temperature control handle
- Safety stop against scalding at 38°C
- Thermostatic cartridge for automatic temperature control, Non-return valve(s)
- Rosette plate frame, Soft edge rosette, Sleeve, Fastening of the function unit with screws, BLUECLICK for an easy, screwless trim plate installation
- Without flow control, Without diverter



Technical data

Flow properties

Flow-rate at 3 bar **25.8 l/min**

Technical properties

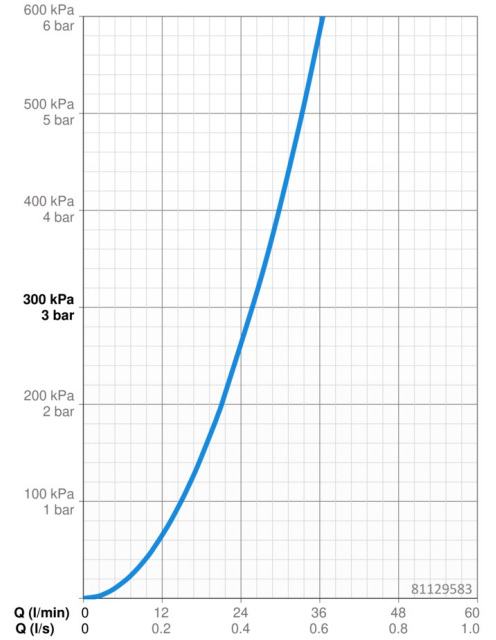
Hot water supply **max. +80°C**
 Working pressure **0.5-10 bar**
 Backflow prevention (EN1717) **EB**
 Material **Brass**

Regulations

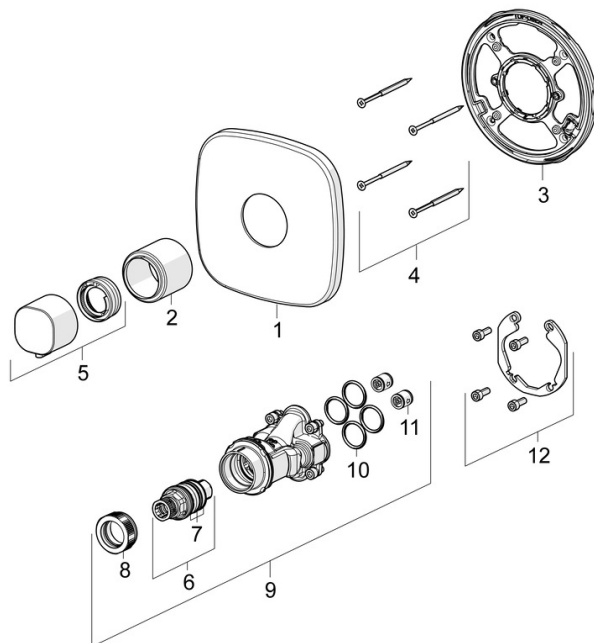
EN standard **EN 1111**
 Noise class **I (ISO 3822)**

Approvals and Declarations

DVGW **DW-6509CS0197**
 ABP **PA-IX 38190/I**
 Declaration of conformity **DoC**



Spare parts



SP81129583

	Name	Code
01	Cover flange Discontinued	59914581
02	Cover sleeve	59914294
03	Fixing part	59914296
04	Screw, M4.5x80	59912890
05	Temperature control handle	59914295
06	Thermostatic cartridge, 3.4	59914114
07	O-ring kit	59914113
08	Tightening nut, M36x1.5, SW38	59914319
09	Functional unit	59914293
10	O-ring, 23.47x2.62	59914304
11	Non-return valve	59905714
12	Installation kit	59914186
N.I.	Raising kit, 15 mm	59914182
N.I.	Cover flange, d 75 mm	59913657
N.I.	Fixing screw, M6x13	59914657
N.I.	Temperature adjustment limiter	59914426
N.I.	Adapter, H/C reversed	59914184