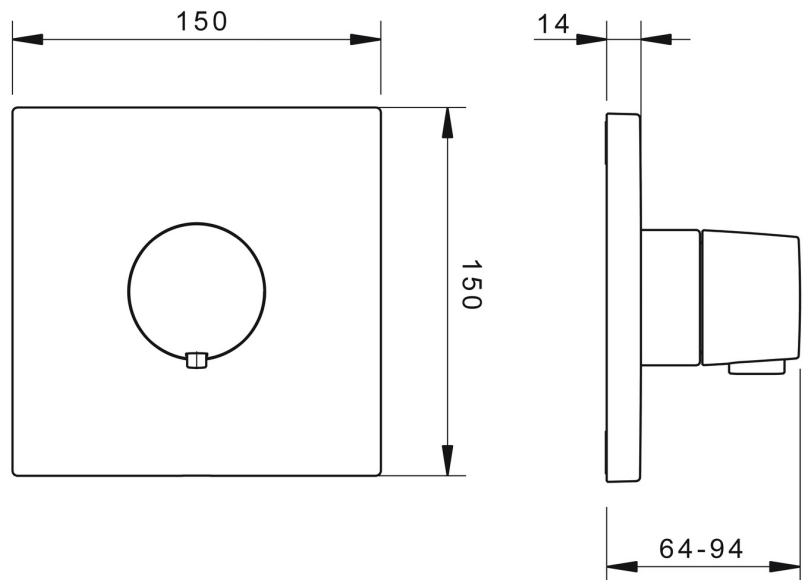
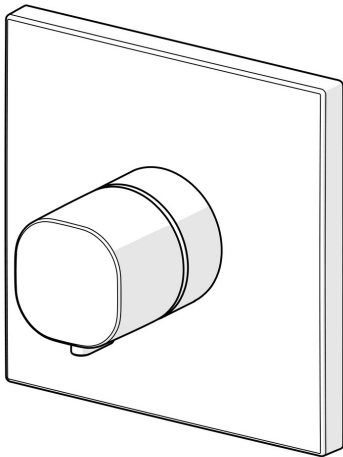


EAN: 4015474279193
static.hansa.com/81129573



- Shower solutions
- Trim Kit, Thermostatic
- Concealed wall mounting
- Chrome
- Temperature control handle
- Safety stop against scalding at 38°C
- Thermostatic cartridge for automatic temperature control, Non-return valve(s)
- Silencer(s)
- Square rosette, Sleeve, Fastening of the function unit with screws, BLUECLICK for an easy, screwless trim plate installation
- Without flow control, Without diverter



Technical data

Flow properties

Flow-rate at 3 bar **25.8 l/min**

Technical properties

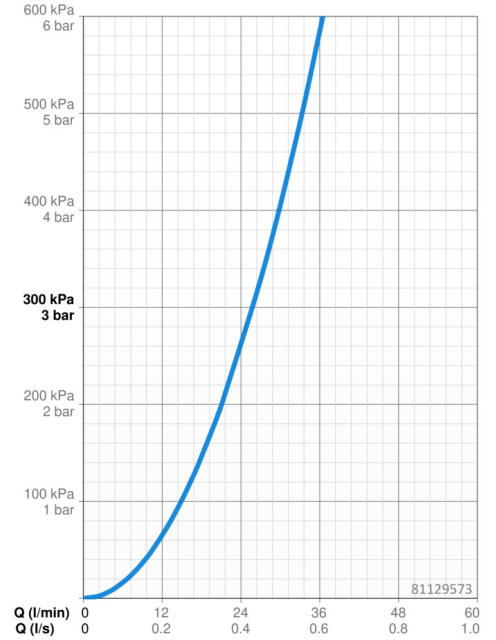
Hot water supply **max. +80°C**
 Working pressure **0.5-10 bar**
 Backflow prevention (EN1717) **EB**
 Material **Brass**

Regulations

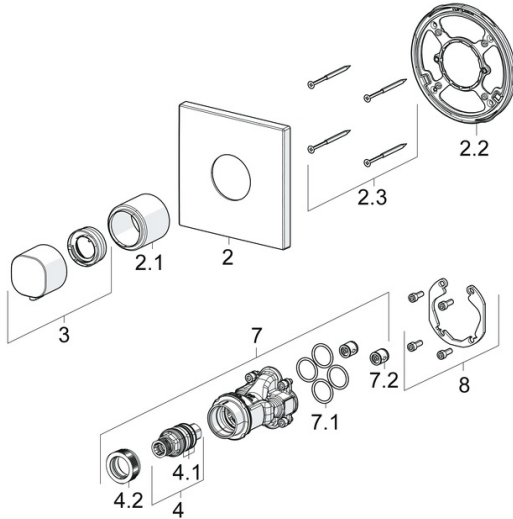
EN standard **EN 1111**
 Noise class **I (ISO 3822)**

Approvals and Declarations

DVGW **DW-6509CS0197**
 ABP **PA-IX 38190/I**
 Declaration of conformity **DoC**



Spare parts



SP81129573

	Name	Code
1.1	Temperature adjustment limiter	59914426
2	Cover flange	59914297
2.1	Cover sleeve	59914294
2.2	Fixing part	59914296
2.3	Screw, M4.5x80	59912890
3	Temperature control handle	59914295
4	Thermostatic cartridge, 3.4	59914114
4.1	O-ring kit	59914113
4.2	Tightening nut, M36x1.5, SW38	59914319
7	Functional unit	59914293
7.1	O-ring, 23.47x2.62	59914304
7.2	Non-return valve	59905714
8	Installation kit	59914186
N.I.	Adapter, H/C reversed	59914184
N.I.	Raising kit, 15 mm	59914182
N.I.	Silencer	59904792
N.I.	Fixing screw, M6x13	59914657
N.I.	Temperature adjustment limiter, max 38°C	59914619
N.I.	Raising kit, 15 mm, 150x150 mm	59914192