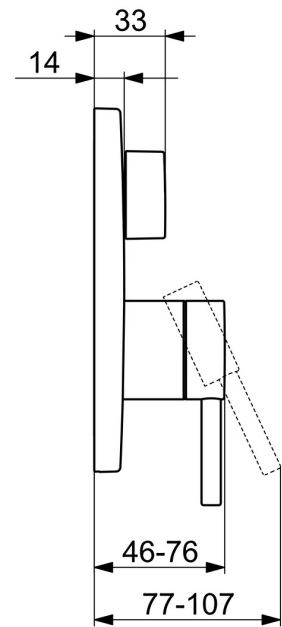
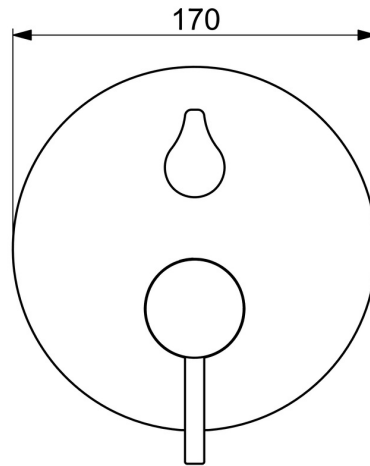
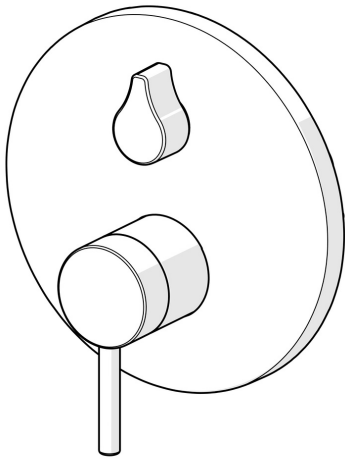


EAN: 4015474279162  
[static.hansa.com/81119583](https://static.hansa.com/81119583)



- Bathtub & Shower
- Trim Kit, Single-lever
- Concealed wall mounting
- Chrome
- Pin shape, Single operating lever/handle, Hot/Cold symbols
- Turn operated diverter
- Limitation option for maximum temperature and flow-rate, Adjustable hot water stop (included, retrofittable)
- $\varnothing$  35 mm ceramic cartridge for flow and temperature control
- Inner body made of DZR brass
- Rosette plate frame, Round rosette, Sleeve, Fastening of the function unit with screws, BLUECLICK for an easy, screwless trim plate installation, BLUETUNE alignment after installation of +/- 3,5°



## Technical data

### Flow properties

Flow-rate at 3 bar **21.0 / 21.0 l/min**

### Technical properties

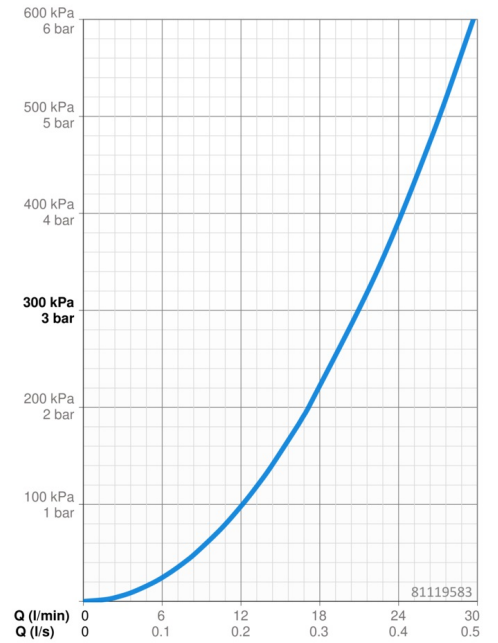
Hot water supply **max. +80°C**  
 Working pressure **0.5-10 bar**  
 Material **Brass**

### Regulations

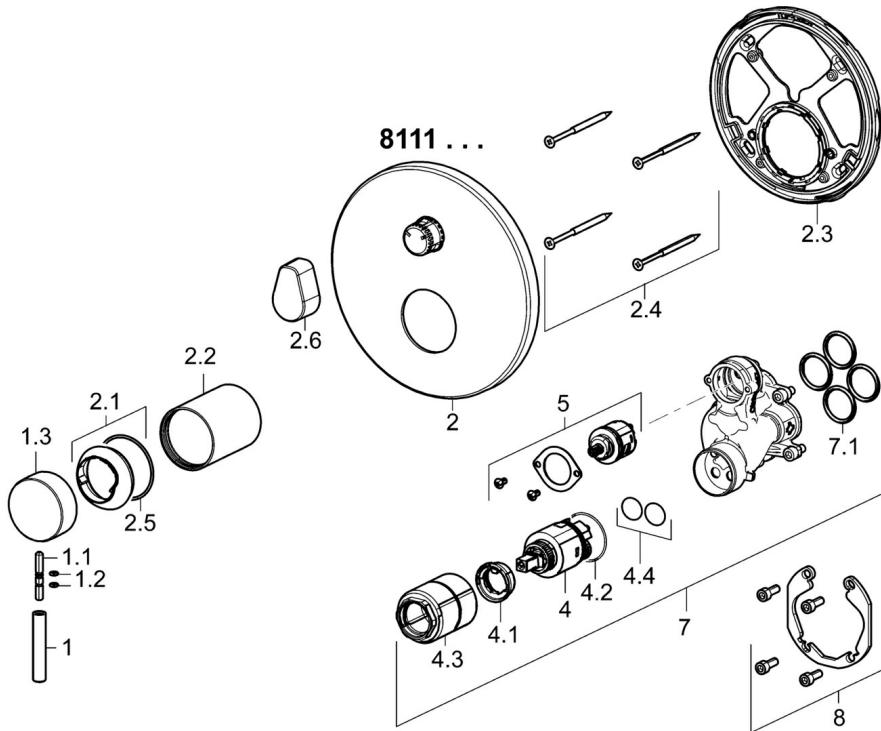
EN standard **EN 817**  
 Noise class **I (ISO 3822)**

### Approvals and Declarations

DVGW **DW-6506CS0196**



## Spare parts



### SP81119583

	Name	Code
1	Lever, L=50, M5 IG	59913335
1.1	Screw, M5x35	59913299
1.2	O-ring, d 3x1.5	59913100
1.3	Cap	59913332
2	Cover flange, d 170 mm	59914302
2.1	Covering cap	59913364
2.2	Cover sleeve	59913375
2.3	Fixing part	59914307
2.4	Screw, M4.5x80	59912890
2.5	O-ring, d 38x2	59913212
2.6	Handle	59914576
4	Cartridge, 3.5 Classic	59913075
4.1	Temperature adjustment limiter	59912325
4.2	O-ring, d 28.24x2.62 Discontinued	59912590
4.3	Screw sleeve, M38x1	59912115
4.4	O-ring, d 10.10x1.60 Discontinued	59905072
5	Diverter	59914183
7	Functional unit, 3.5	59914299
7.1	O-ring, 23.47x2.62	59914304
8	Installation kit	59914186
N.I.	Screwdriver, 5 mm	59914334
N.I.	Raising kit, 15 mm, d 170 mm	59914191
N.I.	Adapter, H/C reversed	59914184
N.I.	Raising kit, 15 mm	59914182
N.I.	Diverter, 120°	59914655
N.I.	Fixing screw, M6x13	59914657