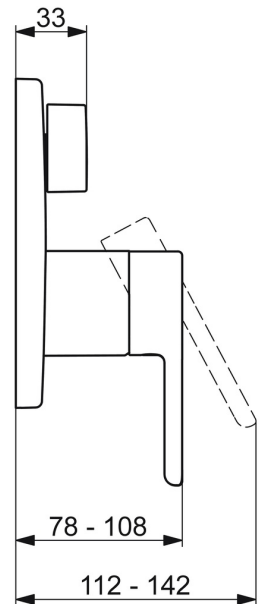
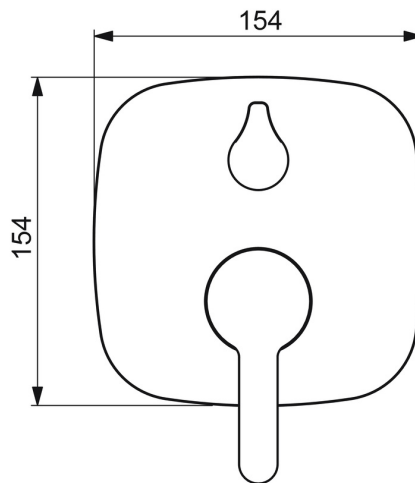
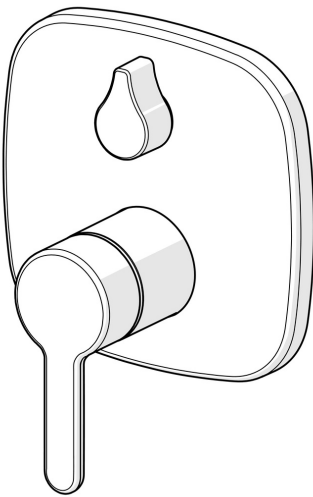


EAN: 4057304006753  
[static.hansa.com/81113593](https://static.hansa.com/81113593)



trim kit with function unit

- Bath tub & Shower
- Trim Kit, Single-lever
- Concealed wall mounting
- Chrome
- Hot/Cold symbols, Single operating lever/handle
- Turn operated diverter
- Limitation option for maximum temperature and flow-rate, Adjustable hot water stop (included, retrofittable)
- Vacuum breaker, Non-return valve(s),  $\varnothing$  40 mm ceramic cartridge for flow and temperature control
- Inner body made of DZR brass
- Rosette plate frame, Soft edge rosette, Sleeve, Fastening of the function unit with screws, BLUECLICK for an easy, screwless trim plate installation, BLUETUNE alignment after installation of +/- 3,5°



## Technical data

### Flow properties

Flow-rate at 3 bar	<b>20.4 / 20.4 l/min</b>
Pressure loss with flow (0.2 l/s)	<b>3 bar</b>
Pressure loss with flow (0.3 l/s)	<b>3 bar</b>

### Technical properties

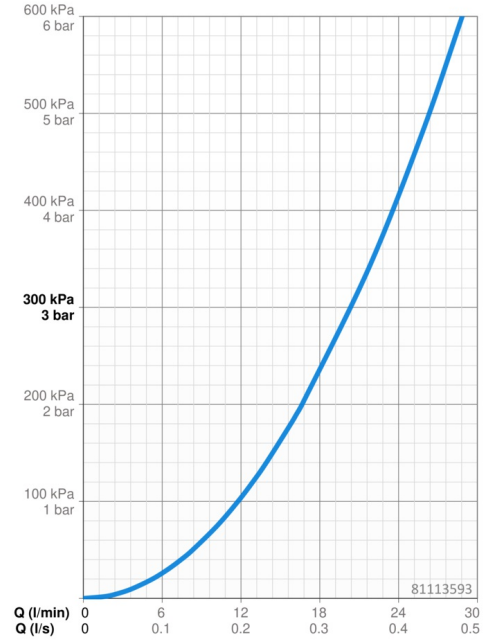
Hot water supply	<b>max. +80°C</b>
Working pressure	<b>0.5-10 bar</b>
Backflow prevention (EN1717)	<b>HD</b>
Material	<b>Brass</b>

### Regulations

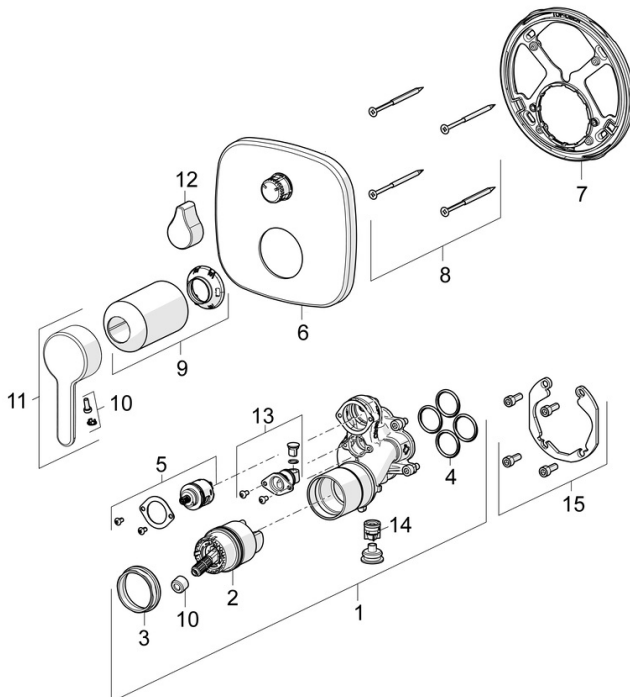
EN standard	<b>EN 817</b>
Noise class	<b>I (ISO 3822)</b>

### Approvals and Declarations

DVGW	<b>DW-6506CS0196</b>
ABP	<b>PA-IX 38594/IDC</b>
Declaration of conformity	<b>DoC</b>



## Spare parts



### SP81113593

	Name	Code
01	Functional unit	59914515
02	Cartridge, 4.0 Classic	59914129
03	Tightening nut, M42x1.5, SW 38	59914128
04	O-ring, 23.47x2.62	59914304
05	Diverter	59914183
06	Cover plate, 154x154 mm	59914575
07	Fixing part	59914307
08	Screw, M4.5x80	59912890
09	Cover sleeve	59914572
10	Symbol plug	59914573
11	Lever	59914574
12	Handle	59914576
13	Vacuum breaker	59914335
14	Non-return valve	59914336
15	Installation kit	59914186
N.I.	Raising kit, 15 mm	59914182
N.I.	Adapter, H/C reversed	59914184
N.I.	Diverter, 120°	59914655
N.I.	Fixing screw, M6x13	59914657