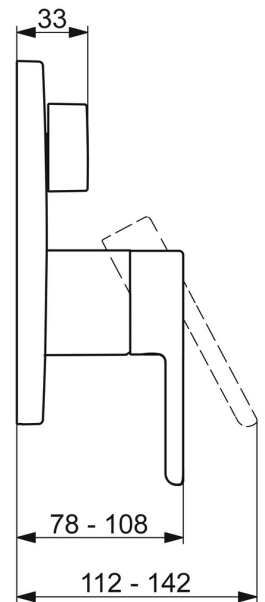
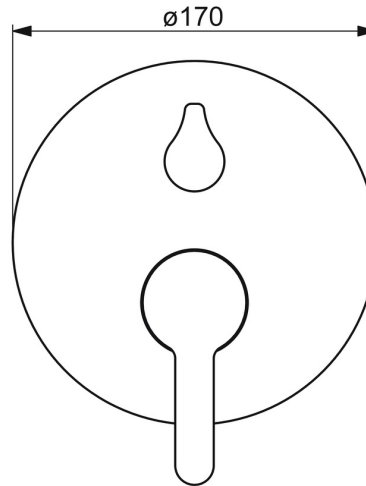
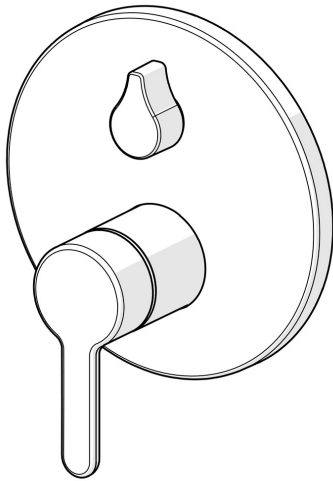


EAN: 4057304006777
static.hansa.com/81113563



trim kit with function unit

- Bath tub & Shower
- Trim Kit, Single-lever
- Concealed wall mounting
- Chrome
- Hot/Cold symbols, Single operating lever/handle
- Turn operated diverter
- Limitation option for maximum temperature and flow-rate, Adjustable hot water stop (included, retrofittable)
- Vacuum breaker, Non-return valve(s), \varnothing 40 mm ceramic cartridge for flow and temperature control
- Inner body made of DZR brass
- Rosette plate frame, Round rosette, Sleeve, Fastening of the function unit with screws, BLUECLICK for an easy, screwless trim plate installation, BLUETUNE alignment after installation of +/- 3,5°



Technical data

Flow properties

Flow-rate at 3 bar	20.4 / 20.4 l/min
Pressure loss with flow (0.2 l/s)	3 bar
Pressure loss with flow (0.3 l/s)	3 bar

Technical properties

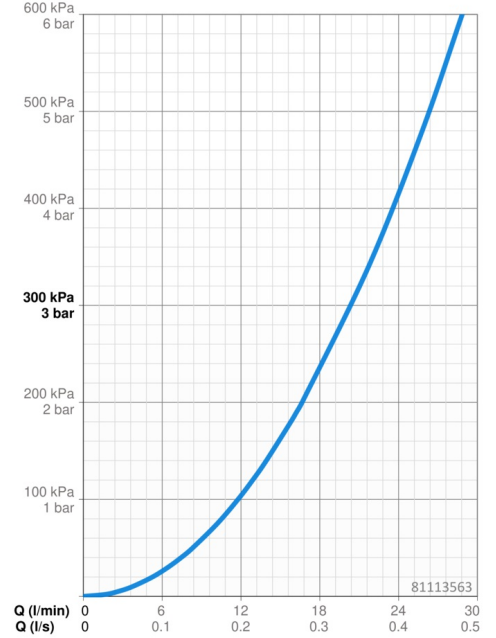
Hot water supply	max. +80°C
Working pressure	0.5-10 bar
Backflow prevention (EN1717)	HD
Material	Brass

Regulations

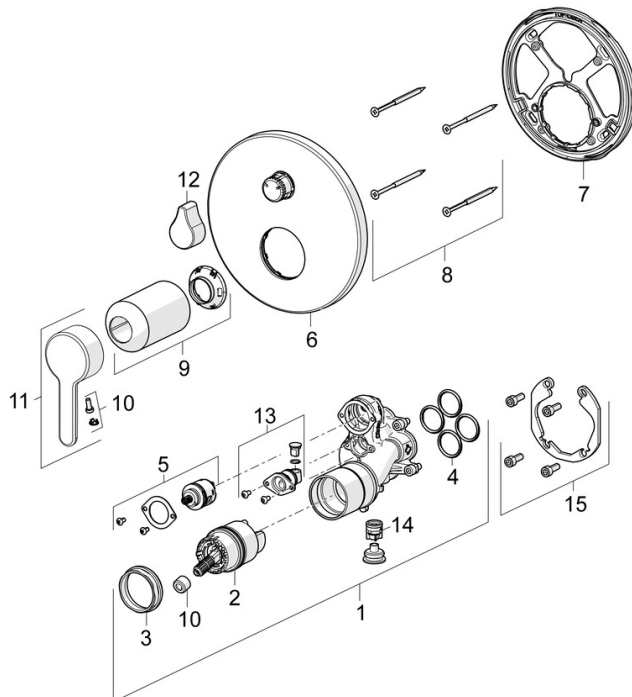
EN standard	EN 817
Noise class	I (ISO 3822)

Approvals and Declarations

DVGW	DW-6506CS0196
ABP	PA-IX 38594/IDC
Declaration of conformity	DoC
EPD	S-P-07752



Spare parts



SP81113563

	Name	Code
01	Functional unit	59914515
02	Cartridge, 4.0 Classic	59914129
03	Tightening nut, M42x1.5, SW 38	59914128
04	O-ring, 23.47x2.62	59914304
05	Diverter	59914183
06	Cover flange, d 170 mm	59914308
07	Fixing part	59914307
08	Screw, M4.5x80	59912890
09	Cover sleeve	59914572
10	Symbol plug	59914573
11	Lever	59914574
12	Handle	59914576
13	Vacuum breaker	59914335
14	Non-return valve	59914336
15	Installation kit	59914186
N.I.	Raising kit, 15 mm, d 170 mm	59914191
N.I.	Adapter, H/C reversed	59914184
N.I.	Raising kit, 15 mm	59914182
N.I.	Diverter, 120°	59914655
N.I.	Fixing screw, M6x13	59914657