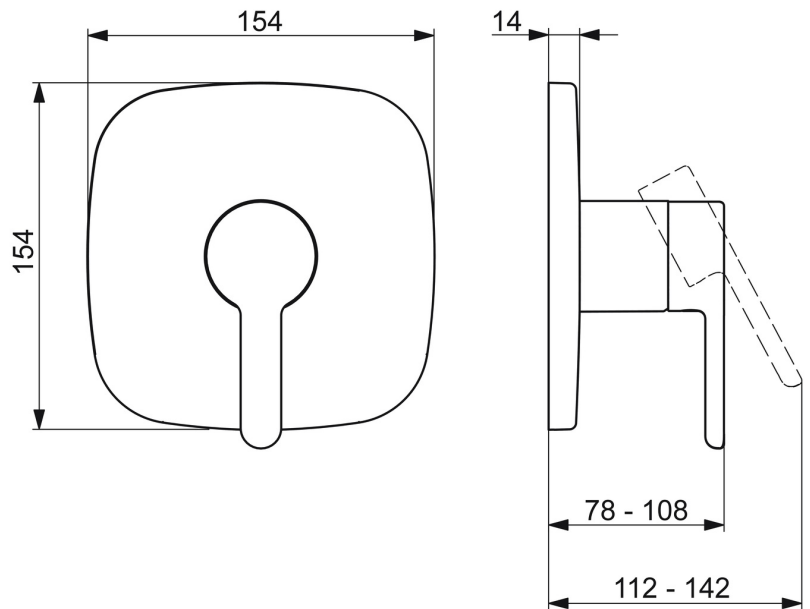
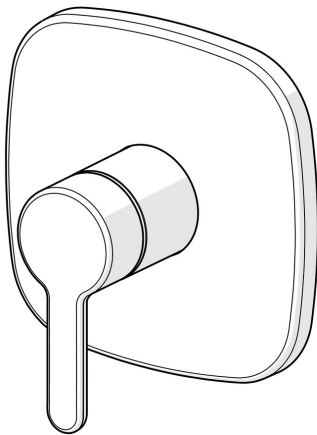


EAN: 4057304006791  
[static.hansa.com/81109593](https://static.hansa.com/81109593)

trim kit with function unit



- Shower solutions
- Trim Kit, Single-lever
- Concealed wall mounting
- Chrome
- Hot/Cold symbols, Single operating lever/handle
- Limitation option for maximum temperature and flow-rate, Adjustable hot water stop (included, retrofittable)
- $\varnothing$  40 mm ceramic cartridge for flow and temperature control
- Rosette plate frame, Soft edge rosette, Sleeve, Fastening of the function unit with screws, BLUECLICK for an easy, screwless trim plate installation
- Without diverter



## Technical data

### Flow properties

Flow-rate at 3 bar **19.8 l/min**

### Technical properties

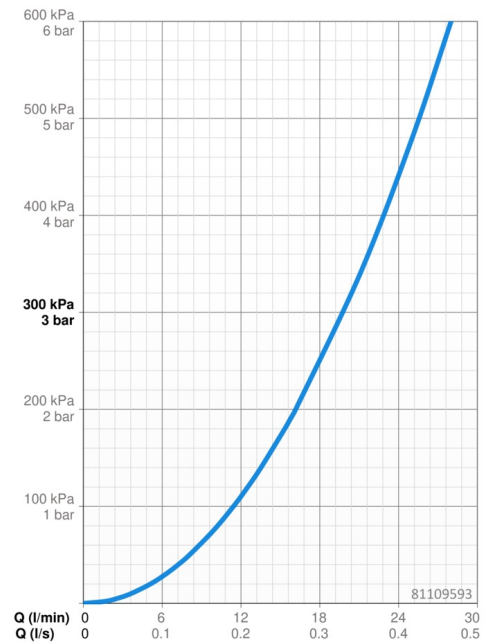
Hot water supply **max. +80°C**  
 Working pressure **0.5-10 bar**  
 Material **Brass**

### Regulations

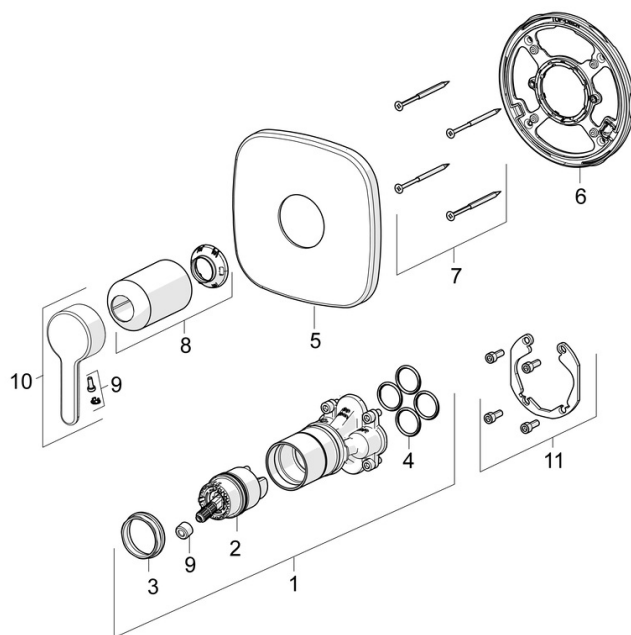
EN standard **EN 817**  
 Noise class **I (ISO 3822)**

### Approvals and Declarations

DVGW **DW-6506CS0196**  
 ABP **PA-IX 38592/IB**  
 Declaration of conformity **DoC**



## Spare parts



### SP81109593

	Name	Code
01	Functional unit Discontinued	59914510
02	Cartridge, 4.0 Classic	59914129
03	Tightening nut, M42x1.5, SW 38	59914128
04	O-ring, 23.47x2.62	59914304
05	Cover plate, 154x154 mm Discontinued	59914571
06	Fixing part	59914511
07	Screw, M4.5x80	59912890
08	Cover sleeve	59914572
09	Symbol plug	59914573
10	Lever	59914574
11	Installation kit	59914186
N.I.	Raising kit, 15 mm	59914182
N.I.	Fixing screw, M6x13	59914657
N.I.	Adapter, H/C reversed	59914184