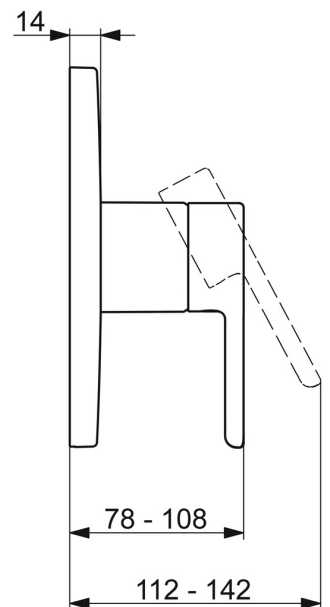
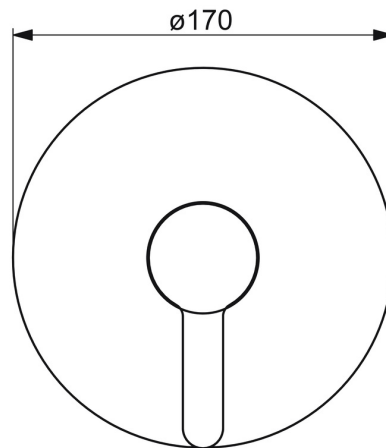
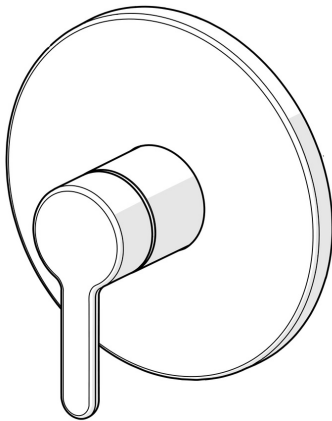


EAN: 4057304006814
static.hansa.com/81109563



trim kit with function unit

- Shower solutions
- Trim Kit, Single-lever
- Concealed wall mounting
- Chrome
- Hot/Cold symbols, Single operating lever/handle
- Limitation option for maximum temperature and flow-rate, Adjustable hot water stop (included, retrofittable)
- \varnothing 40 mm ceramic cartridge for flow and temperature control
- Rosette plate frame, Round rosette, Sleeve, Fastening of the function unit with screws, BLUECLICK for an easy, screwless trim plate installation
- Without diverter



Technical data

Flow properties

Flow-rate at 3 bar	19.8 l/min
Pressure loss with flow (0.2 l/s)	3 bar

Technical properties

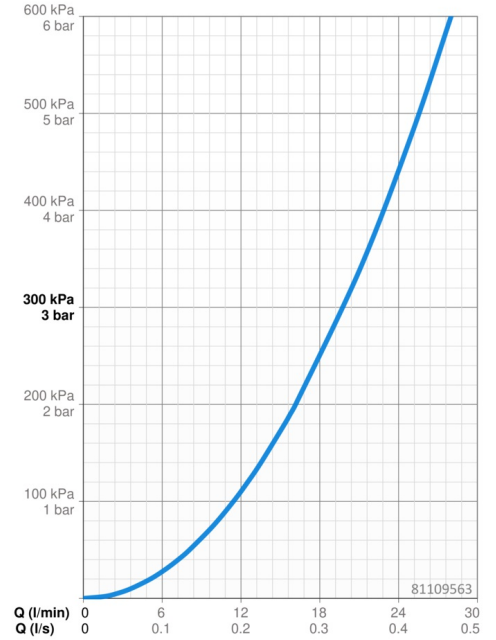
Hot water supply	max. +80°C
Working pressure	0.5-10 bar
Material	Brass

Regulations

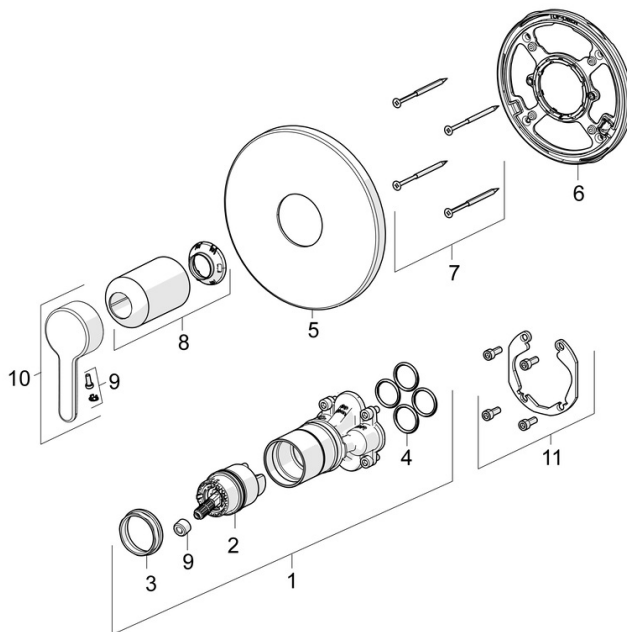
EN standard	EN 817
Noise class	I (ISO 3822)

Approvals and Declarations

DVGW	DW-6506CS0196
ABP	PA-IX 38592/IB
Declaration of conformity	DoC
EPD	S-P-07752



Spare parts



SP81109563

	Name	Code
01	Functional unit Discontinued	59914510
02	Cartridge, 4.0 Classic	59914129
03	Tightening nut, M42x1.5, SW 38	59914128
04	O-ring, 23.47x2.62	59914304
05	Cover flange, d 170 mm	59914310
06	Fixing part	59914511
07	Screw, M4.5x80	59912890
08	Cover sleeve	59914572
09	Symbol plug	59914573
10	Lever	59914574
11	Installation kit	59914186
N.I.	Adapter, H/C reversed	59914184
N.I.	Raising kit, 15 mm	59914182
N.I.	Fixing screw, M6x13	59914657
N.I.	Raising kit, 15 mm, d 170 mm	59914191