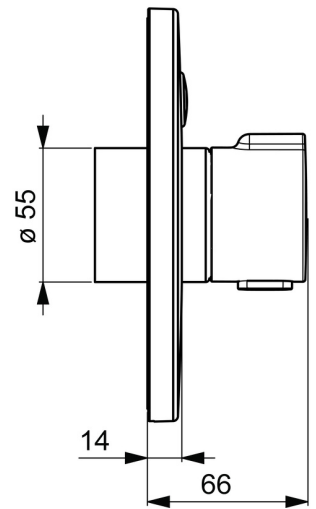
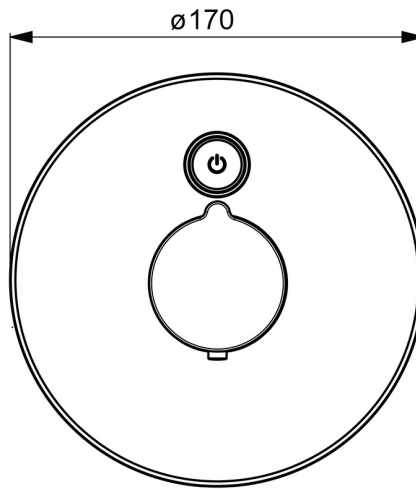
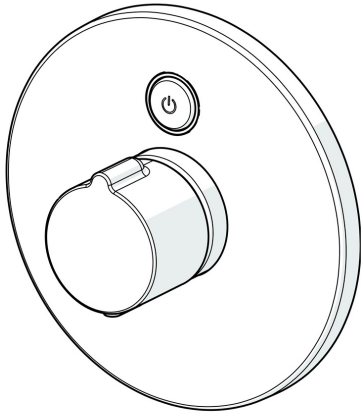


EAN: 4057304008566
static.hansa.com/80919001



- Public & Semi-public
- Trim Kit, Thermostatic, Tiptronic, External transformer
- Concealed wall mounting
- Chrome
- Temperature control handle
- Mechanical push button
- Limitation option for maximum temperature and flow-rate, Safety stop against scalding at 38°C
- Thermostatic cartridge for automatic temperature control, Non-return valve(s)
- Solenoid valve, External control unit, Light indicated function(s)
- Software settings adjustable via buttons
- Round rosette, BLUECLICK for an easy, screwless trim plate installation
- Without transformer
- This item is also available with special programming. For example the duration of possible showering can be preset. For more information please contact our office.



Technical data

Flow properties

Flow-rate at 3 bar **13.8 l/min**

Technical properties

Hot water supply **max. +70°C**
 Working pressure **1-10 bar**
 Backflow prevention (EN1717) **EB**
 Material **Brass**

Software settings

Automatic flush **off (off/6/12/18/24/30/36/48/60/72 h)**
 Automatic flush period **30 s (30/60/90/120/180/240/300/360/480/600 s)**
 Max. flow period **45 s (15/30/45/60/75/90/105/120/135/150 s)**

Electronic properties

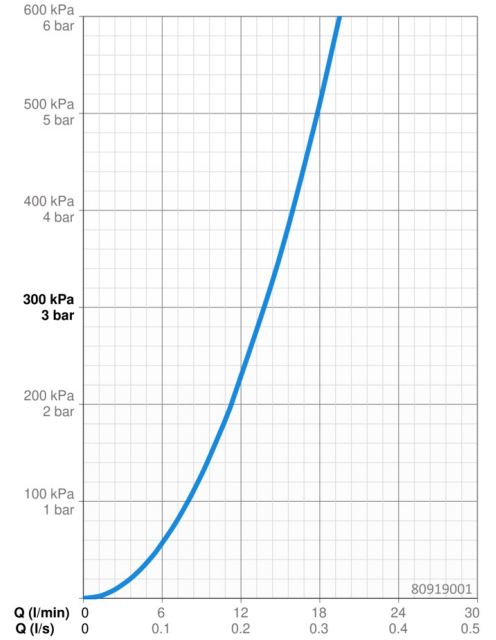
Electrical Connection **12 VDC**

Regulations

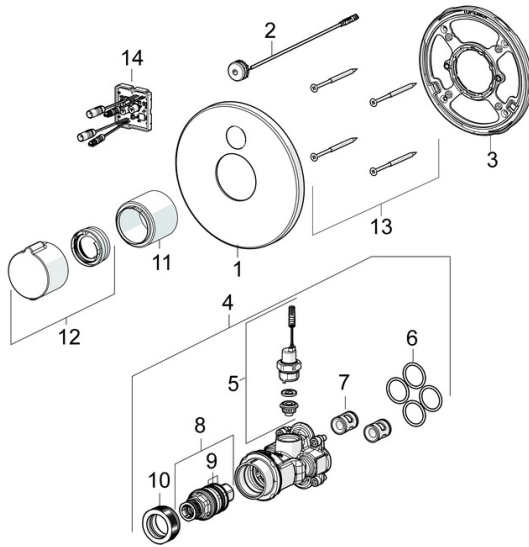
EU Directives **C € Low Voltage Directive 2014/35/EU , EMC Directive 2014/30/EU , RoHS Directive 2011/65/EU**
 EN standard **EN 1111 , EN 15091 , ETSI EN 301 489-1 V1.9.2 , ETSI EN 300 328 v2.2.2 , EN 61000-6-1:2007 , EN 61000-6-3:2007+A1:2011+AC:2012 , EN 60335-1:2012+A11+A13+A14+A15:2021 , Part 19.11.4**
 Noise class **I (ISO 3822)**
 Protection class **IP 55**

Approvals and Declarations

Declaration of conformity **LVD**



Spare parts



SP80919001

	Name	Code
01	Cover plate, d 170 mm	59914556
02	Push button, 3 V Discontinued	59914557
03	Fixing part	59914296
04	Functional unit	59914558
05	Solenoid valve complete, 3 V	59914125
06	O-ring, 23.47x2.62	59914304
07	Non-return valve	59905714
08	Thermostatic cartridge, 3.4	59914114
09	O-ring kit	59914113
10	Tightening nut, M36x1.5, SW38	59914319
11	Cover sleeve	59914294
12	Temperature control handle	59914320
13	Screw, M4.5x80	59912890
14	Control unit, 12 V	59914560