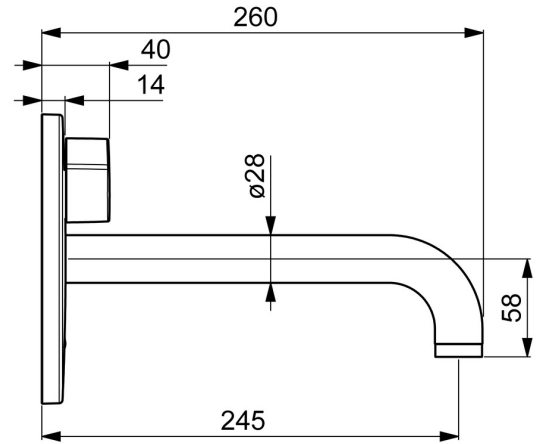
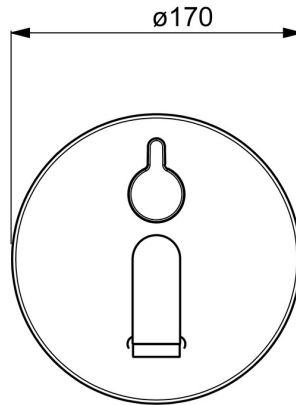
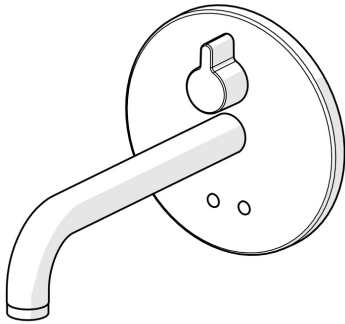


EAN: 4057304008535
static.hansa.com/80812111



- Public & Semi-public
- Touchless, External transformer, Trim Kit
- Concealed wall mounting
- Chrome
- PCA® - constant flow rate regardless of pressure variations, Standard aerator
- Temperature control handle
- Mixing valve for manual temperature control, Litter filter(s), Non-return valve(s)
- Autofocus infrared sensor, Solenoid valve, External control unit, Light indicated function(s)
- Software settings adjustable via magnetic key, Manual, ceramic, pressure independent diverter with volume control and stop function for two outlets
- Round rosette, BLUECLICK for an easy, screwless trim plate installation
- Without transformer



Technical data

Flow properties

Flow-rate at 3 bar (with flow controller) **4.8 l/min**

Technical properties

Hot water supply **max. +70°C**
 Working pressure **1-10 bar**
 Projection **245 mm**
 Backflow prevention (EN1717) **AA**
 Material **Brass**

Software settings

Afterflow period **3 s (1/2/3/4/5/6/7/8/9/10 s)**
 Automatic flush **off (off/6/12/18/24/30/36/48/60/72 h)**
 Automatic flush period **30 s (30/60/90/120/180/240/300/360/480/600 s)**
 Max. flow period **60 s (10/30/60/90/120/150/180/210/240/300 s)**

Electronic properties

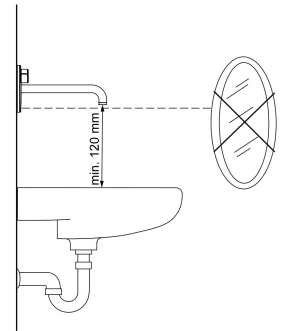
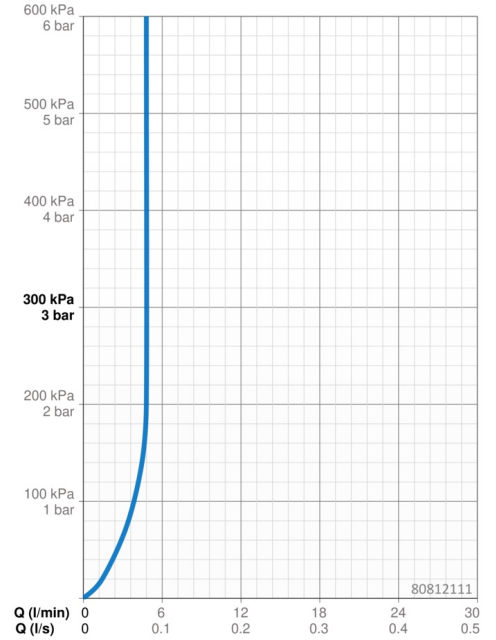
Electrical Connection **12 VDC**

Regulations

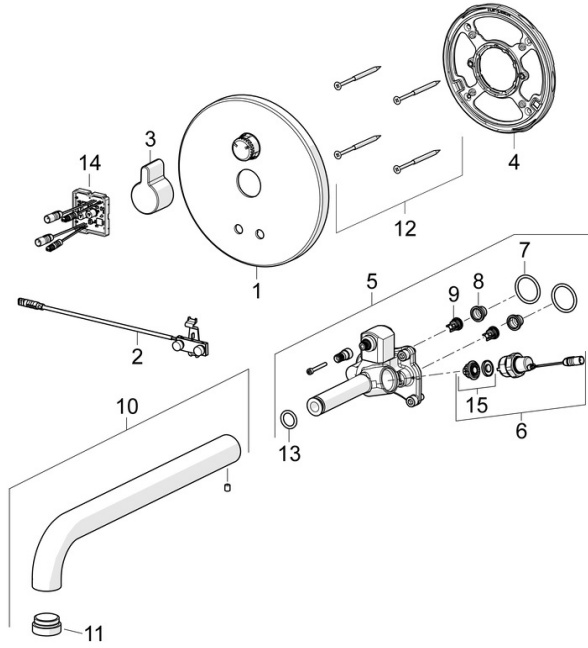
EU Directives **C E Low Voltage Directive 2014/35/EU, EMC Directive 2014/30/EU, RoHS Directive 2011/65/EU**
 EN standard **EN 15091, ETSI EN 301 489-1 V1.9.2, ETSI EN 300 328 v2.2.2, EN 61000-6-1:2007, EN 61000-6-3:2007+A1:2011+AC:2012, EN 60335-1:2012+A11+A13+A14+A2+A15:2021, Part 19.11.4**
 Noise class **I (ISO 3822)**
 Protection class **IP 55**

Approvals and Declarations

ABP **PA-IX 10143/IO**
 Declaration of conformity **LVD**



Spare parts



SP80812111

| | Name | Code |
|----|------------------------------|----------|
| 01 | Cover plate, d 170 mm | 59914553 |
| 02 | Sensor | 59914544 |
| 03 | Handle | 59914322 |
| 04 | Fixing part Discontinued | 59914554 |
| 05 | Functional unit | 59914555 |
| 06 | Solenoid valve complete, 3 V | 59914125 |
| 07 | O-ring, 23.47x2.62 | 59914304 |
| 08 | Litter filters | 59914085 |
| 09 | Non-return valve, DN8 | 59914030 |
| 10 | Spout, L=245 | 59914548 |
| 11 | Aerator, M24x1, -105 | 59914550 |
| 12 | Screw, M4.5x80 | 59912890 |
| 13 | O-ring, d 13.1x2.62 | 59914551 |
| 14 | Control unit, 12 V | 59914560 |
| 15 | Membrane for solenoid valve | 1006500V |
| | Membrane Discontinued | 59914126 |