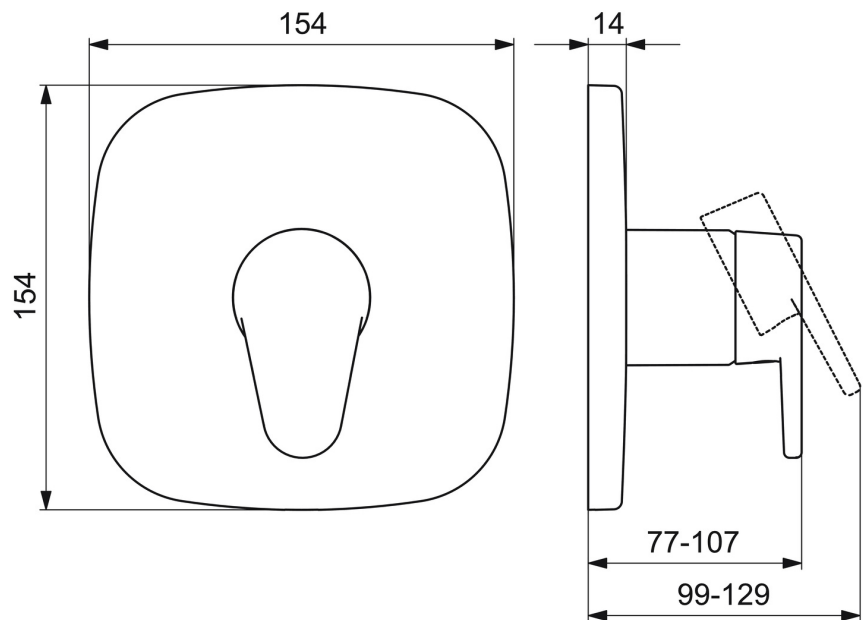
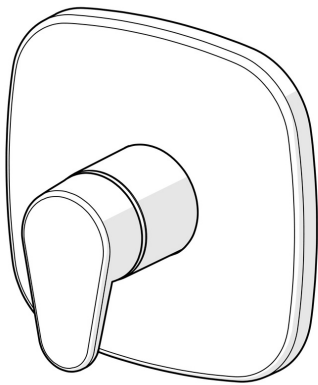


EAN: 4057304004681
static.hansa.com/80649013



- Shower solutions
- Single-lever, Trim Kit
- Concealed wall mounting
- Chrome
- Single operating lever/handle, Hot/Cold symbols
- Limitation option for maximum temperature and flow-rate, Adjustable hot water stop (included, retrofittable)
- \varnothing 40 mm ceramic cartridge for flow and temperature control
- Rosette plate frame, Soft edge rosette, Sleeve, BLUECLICK for an easy, screwless trim plate installation



Technical data

Flow properties

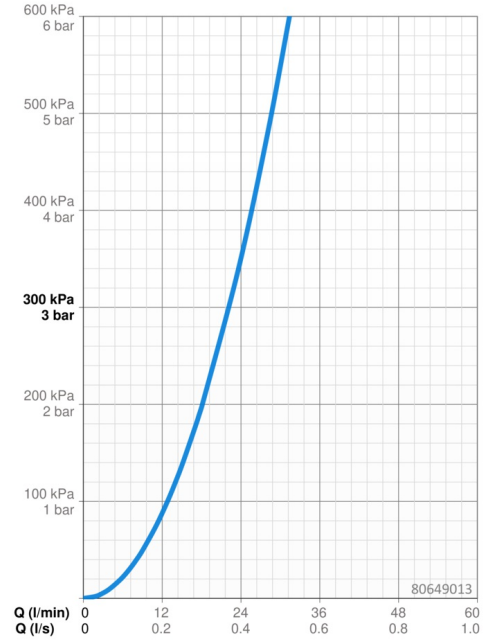
Flow-rate at 3 bar **22.2 l/min**

Technical properties

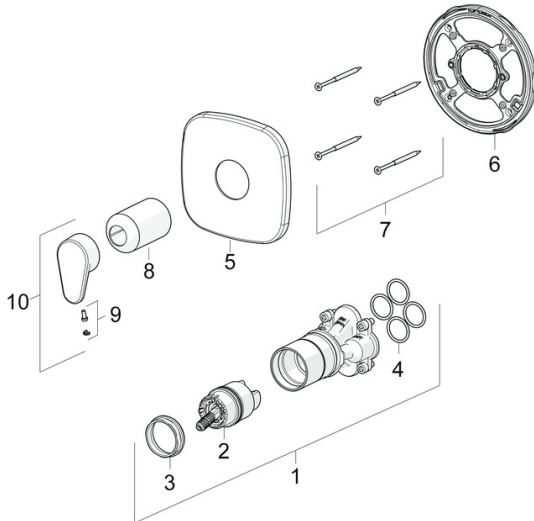
Hot water supply **max. +80°C**
Working pressure **1-10 bar**

Regulations

EN standard **EN 817**
Noise class **I (ISO 3822)**



Spare parts



SP80649013

	Name	Code
01	Functional unit Discontinued	59914510
02	Cartridge, 4.0 Classic	59914129
03	Tightening nut, M42x1.5, SW 38	59914128
04	O-ring, 23.47x2.62	59914304
05	Cover plate, 154x154 mm Discontinued	59914571
06	Fixing part	59914511
07	Screw, M4.5x80	59912890
08	Cover sleeve	59914572
09	Symbol plug	59914341
10	Lever	59914340
N.I.	Installation kit	59914186
N.I.	Adapter, H/C reversed	59914184
N.I.	Raising kit, 15 mm	59914182