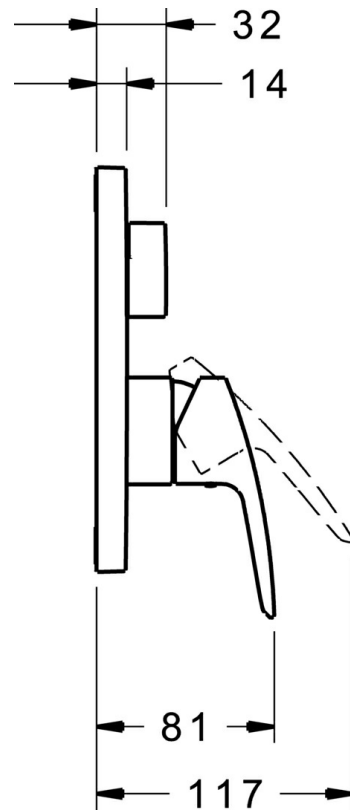
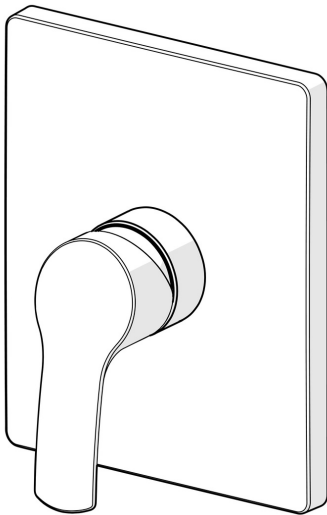


EAN: 4015474278820  
[static.hansa.com/80619073](https://static.hansa.com/80619073)



- Shower solutions
- Single-lever, Trim Kit
- Concealed wall mounting
- Chrome
- Hot/Cold symbols, Single operating lever/handle
- Square rosette, BLUECLICK for an easy, screwless trim plate installation



## Technical data

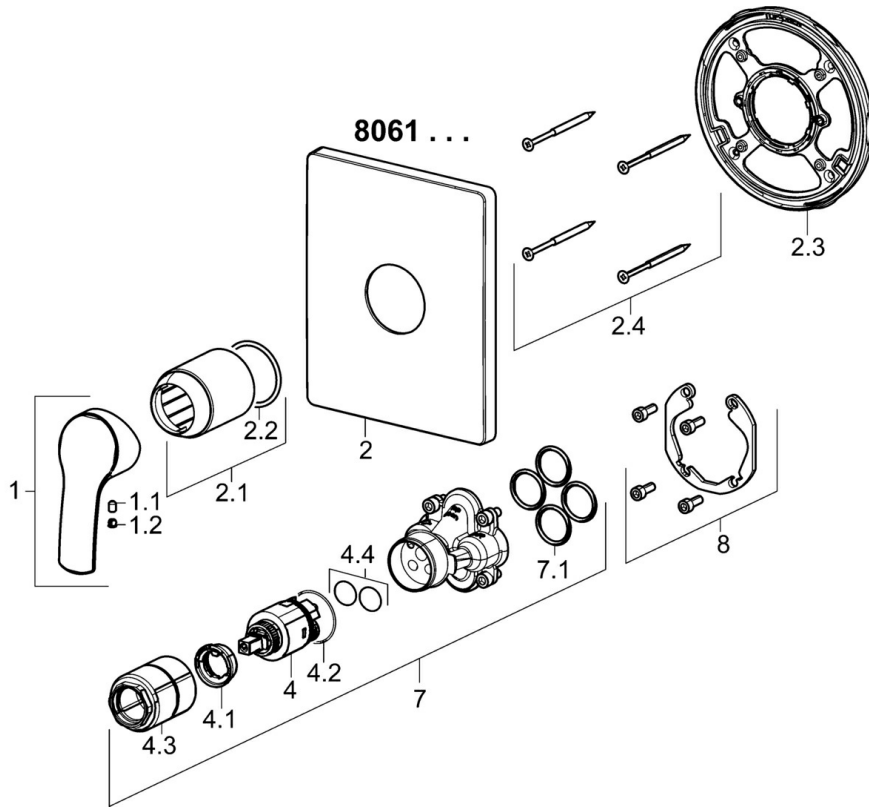
### Technical properties

|                  |                   |
|------------------|-------------------|
| Hot water supply | <b>max. +80°C</b> |
| Working pressure | <b>0.5-10 bar</b> |

### Regulations

|             |                     |
|-------------|---------------------|
| EN standard | <b>EN 817</b>       |
| Noise class | <b>I (ISO 3822)</b> |

## Spare parts



### SP80619073

|      | Name                              | Code     |
|------|-----------------------------------|----------|
| 1    | Lever                             | 59914417 |
| 1.1  | Screw, M5x8, SW2.5                | 59904755 |
| 1.2  | Symbol plug Grey                  | 59912112 |
| 2    | Cover flange, 185x150 mm          | 59914328 |
| 2.1  | Cover sleeve                      | 59912511 |
| 2.2  | O-ring, 41x3                      | 59913215 |
| 2.3  | Fixing part                       | 59914296 |
| 2.4  | Screw, M4.5x80                    | 59912890 |
| 4    | Cartridge, 3.5 Classic            | 59913075 |
| 4.1  | Temperature adjustment limiter    | 59912325 |
| 4.2  | O-ring, d 28.24x2.62 Discontinued | 59912590 |
| 4.3  | Screw sleeve, M38x1               | 59912115 |
| 4.4  | O-ring, d 10.10x1.60 Discontinued | 59905072 |
| 7    | Functional unit, 3.5              | 59914303 |
| 7.1  | O-ring, 23.47x2.62                | 59914304 |
| 8    | Installation kit                  | 59914186 |
| N.I. | Raising kit, 15 mm                | 59914182 |
| N.I. | Fixing screw, M6x13               | 59914657 |
| N.I. | Adapter, H/C reversed             | 59914184 |