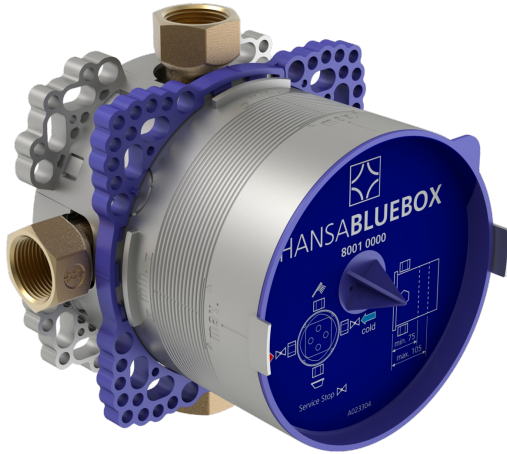
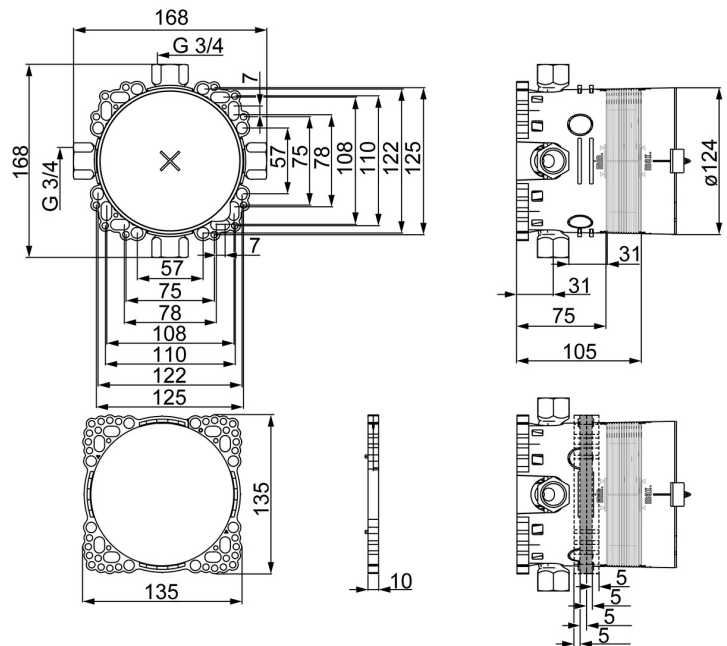
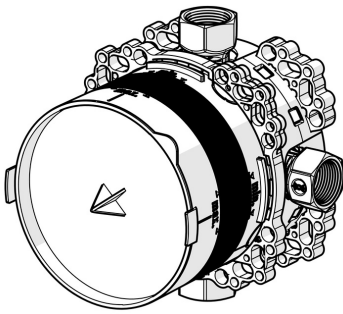


EAN: 4015474279476  
[static.hansa.com/80010000](http://static.hansa.com/80010000)



- Bathtub & Shower
- Public & Semi-public, Health & Care
- Concealed unit
- Concealed wall mounting
- Pressure plug
- Internal thread, with integrated shut-off valve(s)
- Inner body made of DZR brass
- Gasket sleeve for dry mortarless construction, Mounting box and cover sleeve, Multifix fastening system
- Without trim kit
- For the complete faucet, please order this concealed unit and a functional unit with the trim kit



## Technical data

### Technical properties

DN-size (nominal dimension)	<b>DN20</b>
Hot water supply	<b>max. +80° C</b>
Working pressure	<b>1-10 bar</b>
Connection size	<b>G3/4</b>
Material	<b>Brass</b>

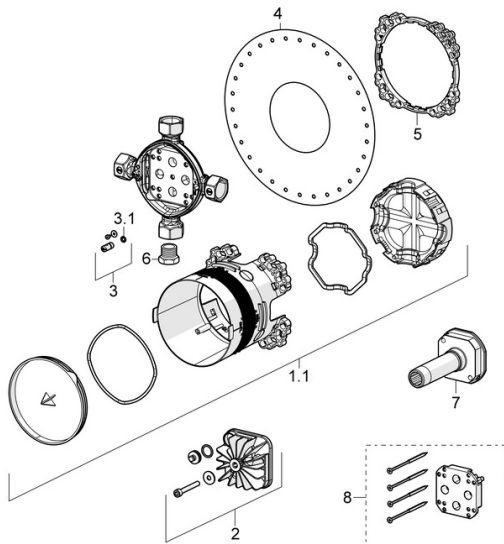
### Approvals and Declarations

Declaration of conformity	<b>DoC</b>
EPD	<b>S-P-07751</b>

### Sustainability

EPD module A1 (kg CO2 eq.)	<b>7,70</b>
EPD module A2 (kg CO2 eq.)	<b>0,35</b>
EPD module A3 (kg CO2 eq.)	<b>0,73</b>
EPD module A1-A3 (kg CO2 eq.)	<b>8,79</b>
EPD module A4 (kg CO2 eq.)	<b>0,19</b>
EPD module C2 (kg CO2 eq.)	<b>0,01</b>
EPD module C3 (kg CO2 eq.)	<b>0,02</b>
EPD module C4 (kg CO2 eq.)	<b>0,27</b>
EPD module D (kg CO2 eq.)	<b>-6,33</b>

## Spare parts



### SP80010000

	Name	Code
1.1	Installation box	59914329
2	Plug	59914330
3	Shut-off valve	59914333
3.1	O-ring, 4.47x1.78 Discontinued	59902336
4	Gasket	59914332
5	Ring	59914331
6	Plug, G3/4 Discontinued	59912385
7	Flush connector	59914185
8	Raising kit, 15 mm	59914182
N.I.	Plug Discontinued	59914636