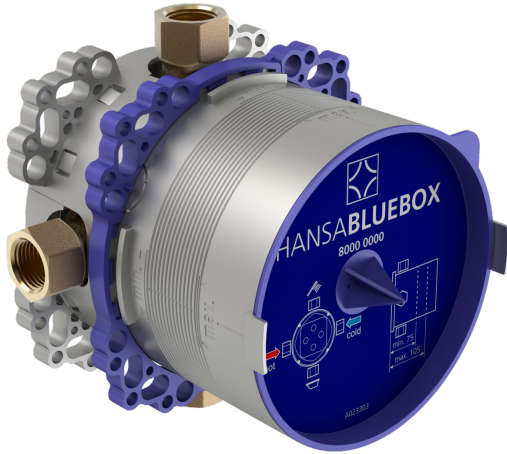
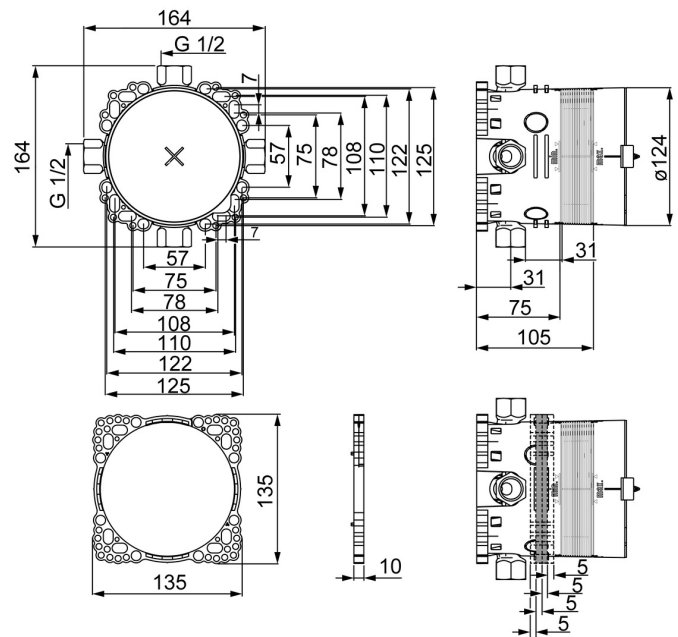
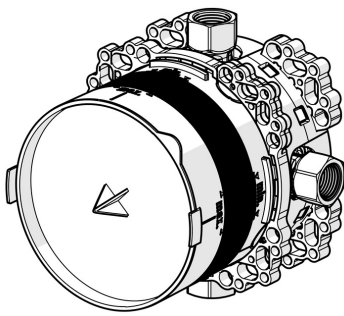


EAN: 4015474278042
static.hansa.com/80000000



- Bath tub & Shower
- Public & Semi-public, Health & Care
- Concealed unit
- Concealed wall mounting
- Pressure plug
- Internal thread
- Inner body made of DZR brass
- Gasket sleeve for dry mortarless construction, Mounting box and cover sleeve, Multifix fastening system
- Without trim kit



Technical data

Technical properties

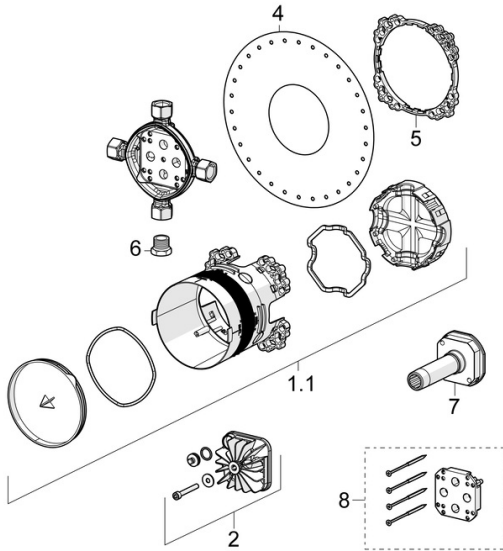
DN-size (nominal dimension)	DN15
Hot water supply	max. +80°C
Working pressure	1-10 bar
Connection size	G1/2
Material	Brass

Approvals and Declarations

Declaration of conformity	DoC
EPD	S-P-07751



Spare parts



SP80000000

	Name	Code
1.1	Installation box	59914329
2	Plug	59914330
4	Gasket	59914332
5	Ring	59914331
6	Plug, G1/2	59905013
7	Flush connector	59914185
8	Raising kit, 15 mm	59914182
N.I.	Plug Discontinued	59914636
N.I.	Adapter, H/C reversed	59914184