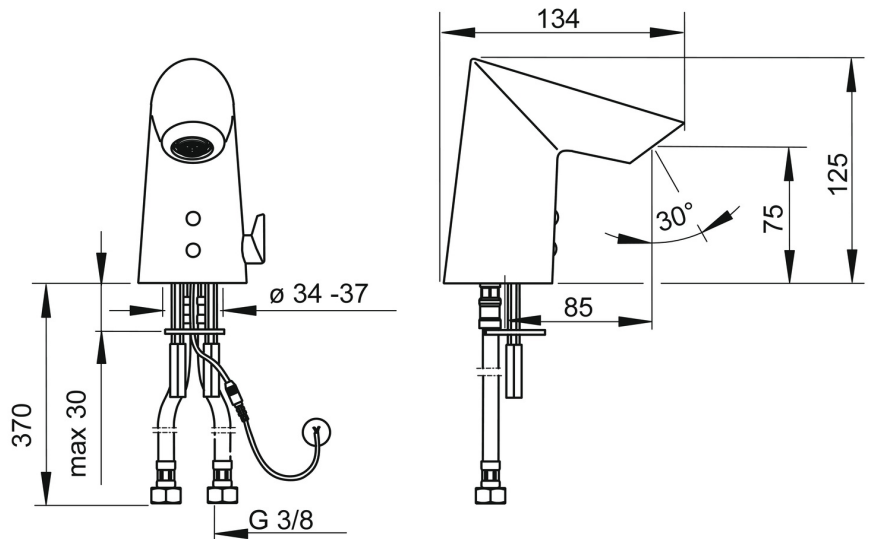
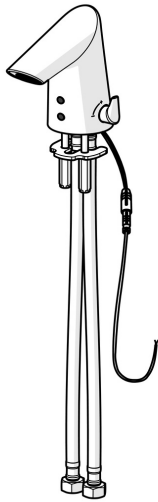


EAN: 4057304015649
static.hansa.com/65412079



- Public & Semi-public
- Touchless, External transformer, Bluetooth®
- Deck mounted
- Chrome
- Fixed spout
- Hidden aerator
- Temperature control handle
- Adjustable hot water stop (included, retrofittable)
- Mixing valve for manual temperature control, Non-return valve(s), Litter filter(s)
- Autofocus infrared sensor, Solenoid valve
- Flexible inlet pipes
- Software settings adjustable via App
- Without transformer, Without pop-up waste, Without draw-rod opening



Technical data

Flow properties

Flow-rate at 3 bar (with flow controller)	4.8 l/min
Pressure loss with flow (0.1 l/s)	2 bar

Technical properties

Hot water supply	max. +70°C
Working pressure	0.5-10 bar
Connection size	G3/8
Projection	85 mm
Backflow prevention (EN1717)	AA
Material	Brass/Plastic

Software settings

Afterflow period	3 s (1-20 s)
Automatic flush	off (off/1-120 h)
Automatic flush period	30 s (1-1800 s)
Max. flow period	2 min (1 - 1800 s)

Electronic properties

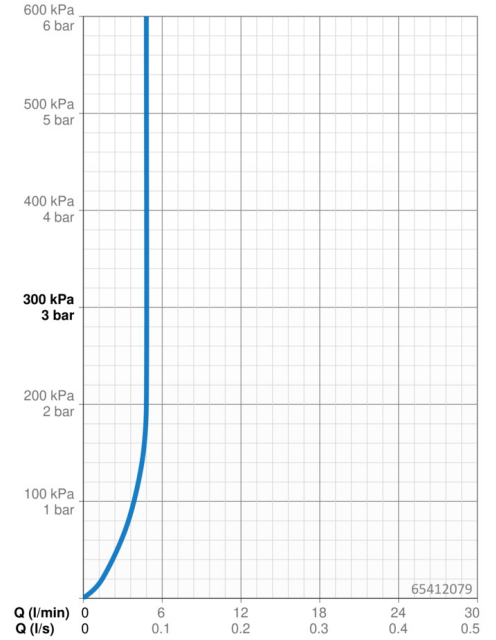
Electrical Connection	9 / 12 V
Bluetooth version	4.x (D034445)

Regulations

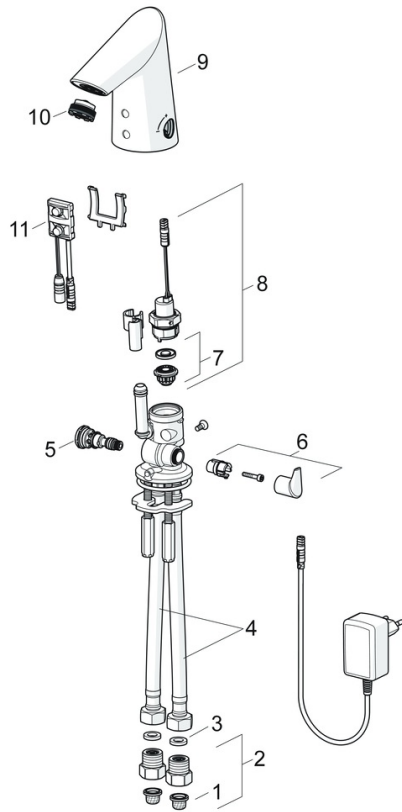
EU Directives	C € Radio Equipment Directive 2014/53/EU , Low Voltage Directive 2014/35/EU , EMC Directive 2014/30/EU , RoHS Directive 2011/65/EU
EN standard	EN 15091, ETSI EN 301 489-1 V1.9.2 , ETSI EN 300 328 v2.2.2 , EN 61000-6-1:2007 , EN 61000-6-3:2007+A1:2011+AC:2012 , EN 60335-1:2012+A11+A13+A14+A2+A15:2021, Part 19.11.4
Noise class	I (ISO 3822)
Protection class	IP 55

Approvals and Declarations

Declaration of conformity	RED
---------------------------	------------



Spare parts



SP65412000

	Name	Code
01	Litter filters	59914085
02	One-way valve with litter screen	59914086
03	Gasket, 8x14.3x2	59914087
04	Flexible pipe, L=375, G3/8-M10x1 (2pcs)	59914095
05	Temperature regulator	59914089
06	Temperature control handle	59914092
07	Membrane for solenoid valve	1006500V
07	Membrane support ring Discontinued	59914090
08	Solenoid valve, 6 V	59914091
09	Spout	59914589
10	Aerator, M21.5x1, 5 l/min	59914094
11	Sensor, 12 V Discontinued	59914098
11	Sensor, 6/9/12 V, Bluetooth	59914567
N.I.	Limiter	59914106