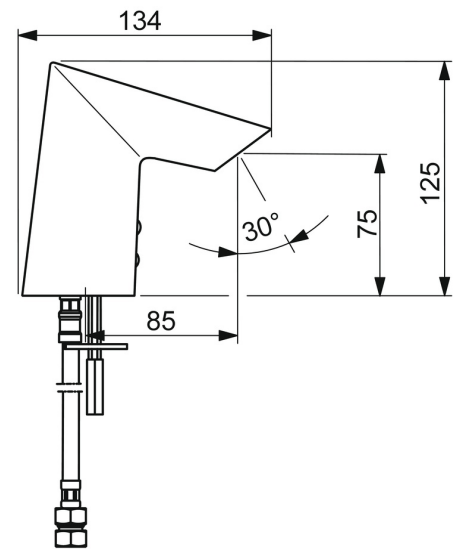
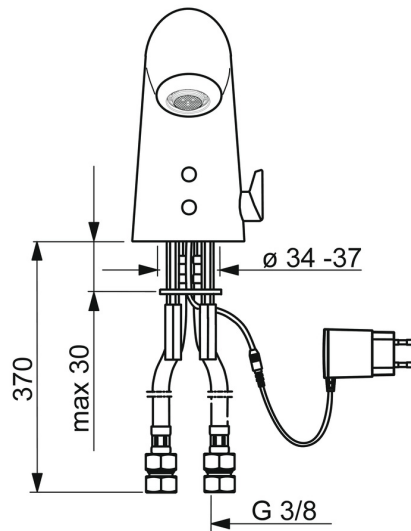
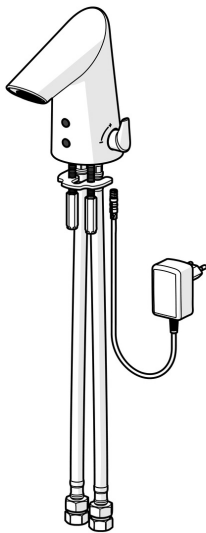


EAN: 4057304000058  
[static.hansa.com/65412000](http://static.hansa.com/65412000)



- Public & Semi-public
- Plug transformer, Touchless
- Deck mounted
- Chrome
- Fixed spout
- Hidden aerator
- Temperature control handle
- Adjustable hot water stop (included, retrofittable)
- Non-return valve(s), Litter filter(s), Mixing valve for manual temperature control
- Autofocus infrared sensor, Solenoid valve, Power supply
- Flexible inlet pipes
- Without pop-up waste, Without draw-rod opening



## Technical data

### Flow properties

Flow-rate at 3 bar (with flow controller) **4.8 l/min**

### Technical properties

DN-size (nominal dimension) **DN15**  
 Hot water supply **max. +70°C**  
 Working pressure **1-10 bar**  
 Connection size **G3/8**  
 Projection **85 mm**  
 Backflow prevention (EN1717) **EB**  
 Material **Brass/Plastic**

### Software settings

Afterflow period **2 s ± 1 s**  
 Max. flow period **2 min**

### Electronic properties

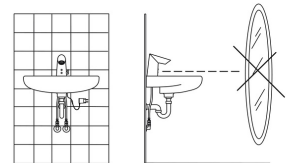
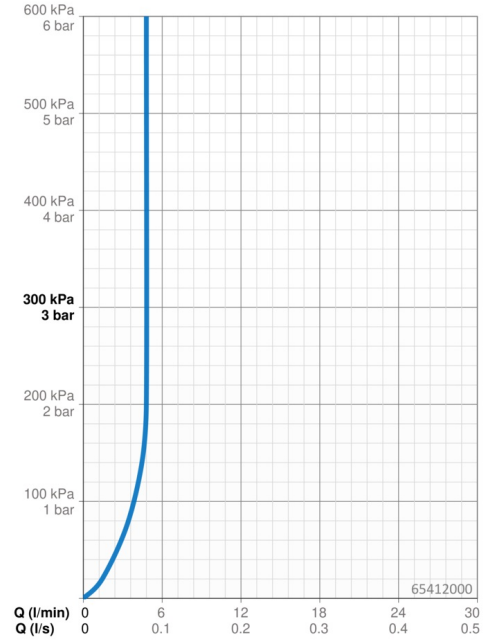
Electrical Connection **230 / 12 V**

### Regulations

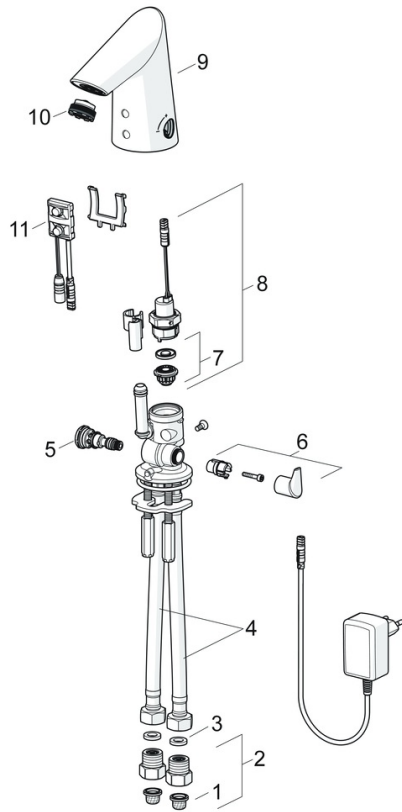
EU Directives **C E Low Voltage Directive 2014/35/EU , EMC Directive 2014/30/EU , RoHS Directive 2011/65/EU**  
 EN standard **EN 15091, ETSI EN 301 489-1 V1.9.2, ETSI EN 300 328 v2.2.2, EN 61000-6-1:2007, EN 61000-6-3:2007+A1:2011+AC:2012, EN 60335-1:2012+A11+A13+A14+A2+A15:2021, Part 19.11.4**  
 Protection class **IP 55 / transformer IP 40**

### Approvals and Declarations

Declaration of conformity **LVD**



## Spare parts



### SP65412000

	Name	Code
01	Litter filters	59914085
02	One-way valve with litter screen	59914086
03	Gasket, 8x14.3x2	59914087
04	Flexible pipe, L=375, G3/8-M10x1 (2pcs)	59914095
05	Temperature regulator	59914089
06	Temperature control handle	59914092
07	Membrane for solenoid valve	1006500V
07	Membrane support ring Discontinued	59914090
08	Solenoid valve, 6 V	59914091
09	Spout	59914589
10	Aerator, M21.5x1, 5 l/min	59914094
11	Sensor, 12 V Discontinued	59914098
11	Sensor, 6/9/12 V, Bluetooth	59914567
N.I.	Limiter	59914106