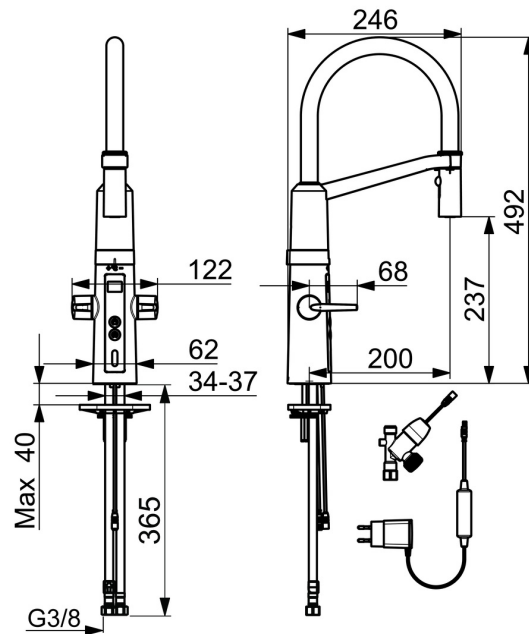
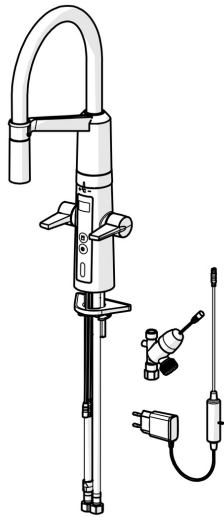


EAN: 4057304004544  
[static.hansa.com/65262213](http://static.hansa.com/65262213)



- Kitchen
- Public & Semi-public, Industry
- Hybrid, Plug transformer, Dishwasher valve
- Deck mounted
- Chrome
- Swivel spout
- Electronic stop valve for external equipment
- Easy-Grip surface, Two operating levers/handles
- Push operated diverter, Automatic reset
- Normal - Even and soft water stream, Intense - invigorating water stream
- Pull-out hand spray
- Ceramic head part for flow control, Mixing valve for manual temperature control, Litter filter(s)
- Autofocus infrared sensor, Solenoid valve, Power supply, Light indicated function(s)
- Flexible inlet pipes
- Surfaces in contact with drinking water contain less than 0.3% lead, Waterways without nickel coating, Software settings adjustable via buttons
- Soft- and Needle-Spray
- 2 spray functions



## Technical data

### Flow properties

Flow-rate at 3 bar **12.0 l/min**

### Technical properties

DN-size (nominal dimension) **DN15**  
 Hot water supply **max. +70°C**  
 Working pressure **1-10 bar**  
 Connection size **G3/8**  
 Projection **200 mm**  
 Backflow prevention (EN1717) **EB**  
 Material **Brass/Plastic**

### Software settings

Afterflow period **4 s (2/4/8/10/20 s)**  
 Automatic flush **off (off/12/24/48/72 h)**  
 Automatic flush period **30 s (10/30/60/120/180 s)**  
 Dishwasher valve open period **4 h / 12 h**  
 Max. flow period **40 s (10/40/60/120/180 s)**

### Electronic properties

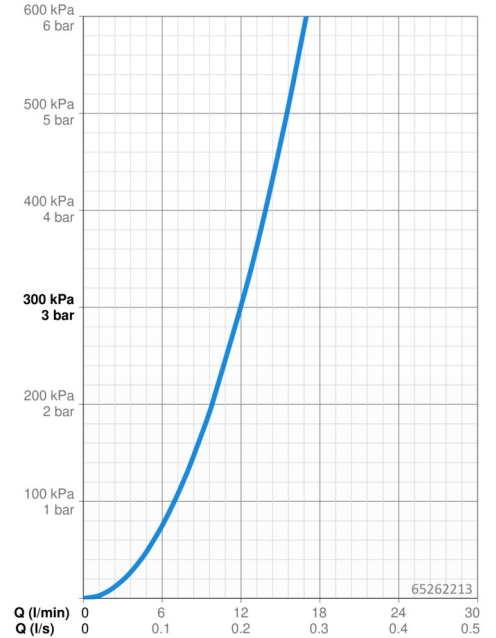
Electrical Connection **230 / 5 V**

### Regulations

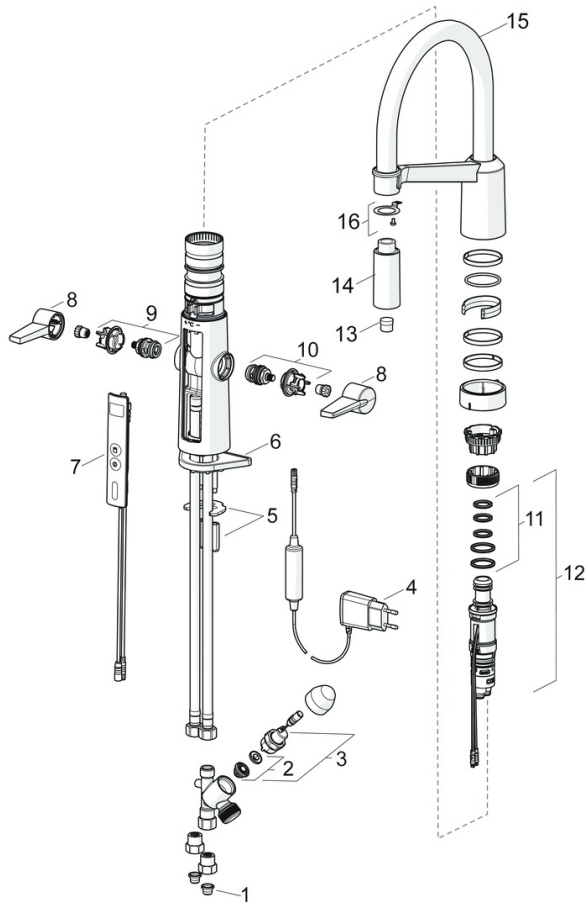
EU Directives **C € Low Voltage Directive 2014/35/EU , EMC Directive 2014/30/EU , RoHS Directive 2011/65/EU**  
 EN standard **EN 1111, EN 200 , EN 15091, ETSI EN 301 489-1 V1.9.2 , ETSI EN 300 328 v2.2.2 , EN 61000-6-1:2007 , EN 61000-6-3:2007+A1:2011+AC:2012 , EN 60335-1:2012+A11+A13+A14+A2+A15:2021, Part 19.11.4**  
 Protection class **IP 55 / transformer IP 20**

### Approvals and Declarations

Declaration of conformity **LVD**



## Spare parts



### SP65262213

	<b>Name</b>	<b>Code</b>
01	Litter filters	59914085
02	Membrane for solenoid valve	1006500V
02	Membrane Discontinued	59914126
03	Solenoid valve complete, 3 V	59914125
04	Power supply, 5 V Discontinued	59914138
05	Fixing plates with nuts	59914132
06	Supporting plate	59910008
07	User interface	59914146
08	Lever	59914140
09	Headpart for hot water	59914141
10	Headpart for cold water	59914142
11	Sealing kit	59914144
12	Temperature regulator	59914585
13	Aerator	59914583
14	Shower head	59914584
15	High spout	59914582
16	Fixing part Discontinued	59914615