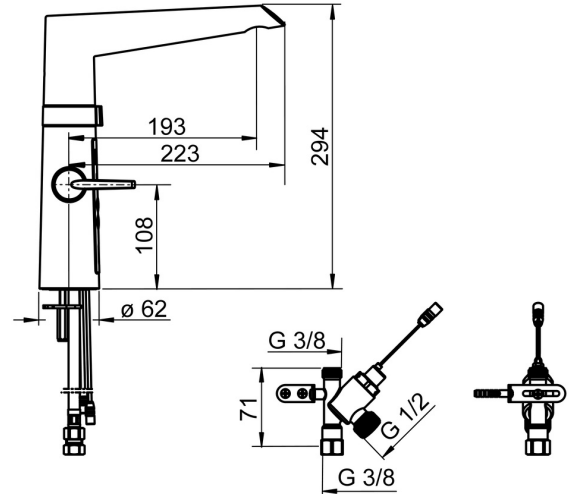
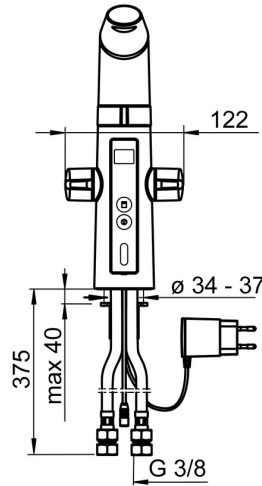
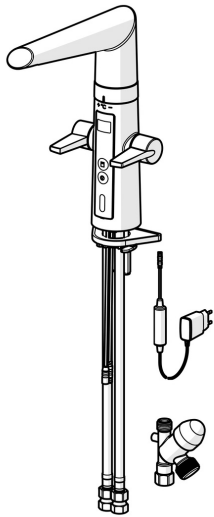


EAN: 4015474273450
static.hansa.com/65242213



- Kitchen
- Public & Semi-public, Industry
- Hybrid, Plug transformer, Dishwasher valve
- Deck mounted
- Chrome
- Swivel spout, Swivel range limiting option
- Hidden aerator, Standard aerator
- Electronic stop valve for external equipment
- Two operating levers/handles, Easy-Grip surface
- Ceramic head part for flow control, Mixing valve for manual temperature control, Litter filter(s)
- Autofocus infrared sensor, Solenoid valve, External control unit, Power supply, Light indicated function(s)
- Flexible inlet pipes
- Surfaces in contact with drinking water contain less than 0.3% lead, Inner body made of DZR brass, Waterways without nickel coating, Software settings adjustable via buttons
- Faucet is GGT-approved user test VERY GOOD



Technical data

Flow properties

Flow-rate at 3 bar	12.0 l/min
Pressure loss with flow (0.2 l/s)	2.9 bar

Technical properties

DN-size (nominal dimension)	DN15
Hot water supply	max. +70°C
Working pressure	1-10 bar
Connection size	G3/8
Projection	193 mm
Backflow prevention (EN1717)	AA
Material	Brass/Plastic

Software settings

Afterflow period	4 s (2/4/8/10/20 s)
Automatic flush	off (off/12/24/48/72 h)
Automatic flush period	30 s (10/30/60/120/180 s)
Dishwasher valve open period	4 h / 12 h
Max. flow period	40 s (10/40/60/120/180 s)

Electronic properties

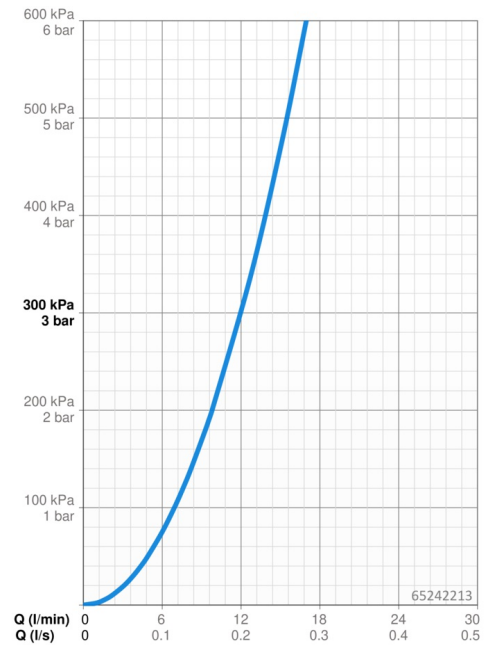
Electrical Connection	230 / 5 V
-----------------------	------------------

Regulations

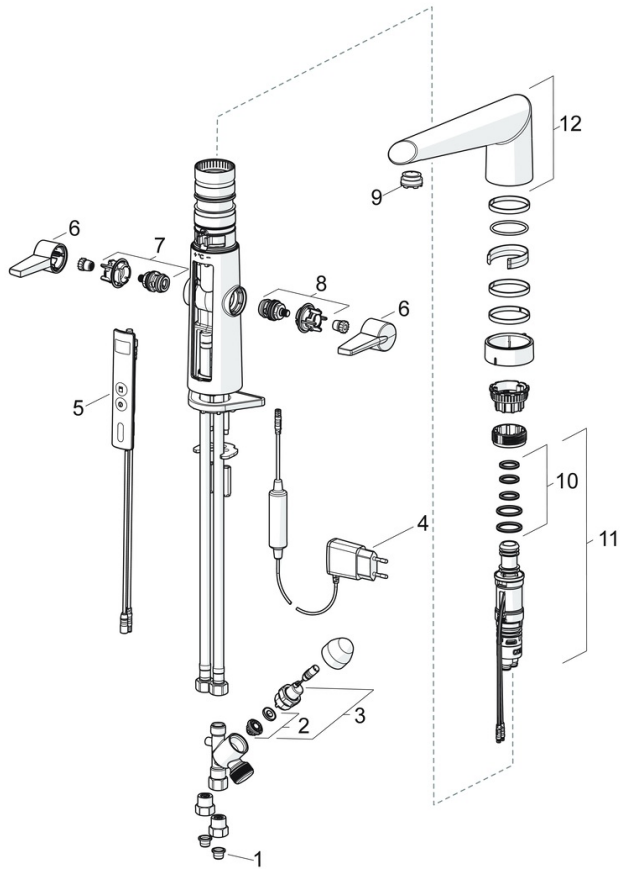
EU Directives	C € Low Voltage Directive 2014/35/EU , EMC Directive 2014/30/EU , RoHS Directive 2011/65/EU
EN standard	EN 1111, ETSI EN 301 489-1 V1.9.2 , ETSI EN 300 328 v2.2.2 , EN 61000-6-1:2007 , EN 61000-6-3:2007+A1:2011+AC:2012 , EN 60335-1:2012+A11+A13+A1+A14+A2+A15:2021, Part 19.11.4
Noise class	I (ISO 3822)
Protection class	IP 54 / transformer IP 20

Approvals and Declarations

Declaration of conformity	LVD
EPD	S-P-07817



Spare parts



SP65242213

	Name	Code
01	Litter filters	59914085
02	Membrane for solenoid valve	1006500V
02	Membrane Discontinued	59914126
03	Solenoid valve complete, 3 V	59914125
04	Power supply, 5 V Discontinued	59914138
05	User interface	59914146
06	Lever	59914140
07	Headpart for hot water	59914141
08	Headpart for cold water	59914142
09	Fitting ring for aerator	59914339
10	Sealing kit	59914144
11	Temperature regulator	59914145
12	Spout	59914620