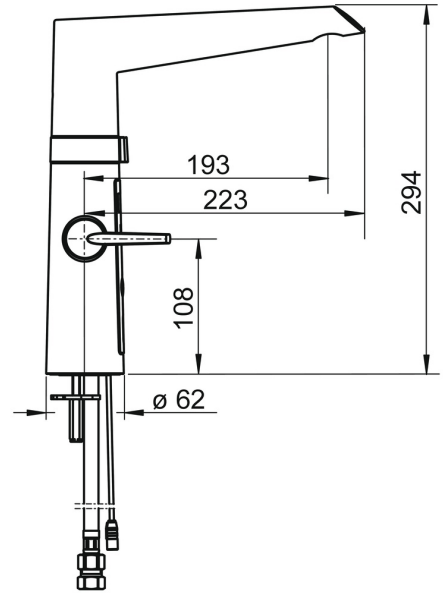
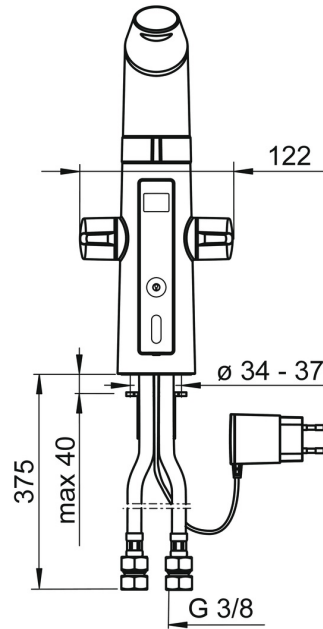
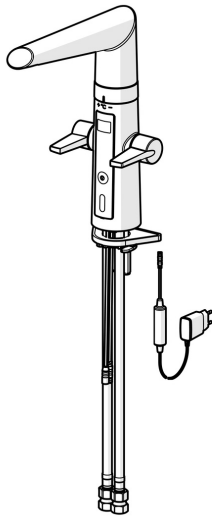


EAN: 4015474273443  
[static.hansa.com/65232213](http://static.hansa.com/65232213)



- Kitchen
- Public & Semi-public, Industry
- Hybrid, Plug transformer
- Deck mounted
- Chrome
- Swivel spout, Swivel range limiting option
- Hidden aerator, Standard aerator
- Two operating levers/handles, Easy-Grip surface
- Ceramic head part for flow control, Mixing valve for manual temperature control, Litter filter(s)
- Autofocus infrared sensor, Solenoid valve, External control unit, Power supply, Light indicated function(s)
- Flexible inlet pipes
- Surfaces in contact with drinking water contain less than 0.3% lead, Inner body made of DZR brass, Waterways without nickel coating, Software settings adjustable via buttons
- Faucet is GGT-approved user test VERY GOOD



## Technical data

### Flow properties

Flow-rate at 3 bar	<b>12.0 l/min</b>
Pressure loss with flow (0.2 l/s)	<b>2.9 bar</b>

### Technical properties

DN-size (nominal dimension)	<b>DN15</b>
Hot water supply	<b>max. +70°C</b>
Working pressure	<b>1-10 bar</b>
Connection size	<b>G3/8</b>
Projection	<b>193 mm</b>
Backflow prevention (EN1717)	<b>AA</b>
Material	<b>Brass/Plastic</b>

### Software settings

Afterflow period	<b>4 s (2/4/8/10/20 s)</b>
Automatic flush	<b>off (off/12/24/48/72 h)</b>
Automatic flush period	<b>30 s (10/30/60/120/180 s)</b>
Max. flow period	<b>40 s (10/40/60/120/180 s)</b>

### Electronic properties

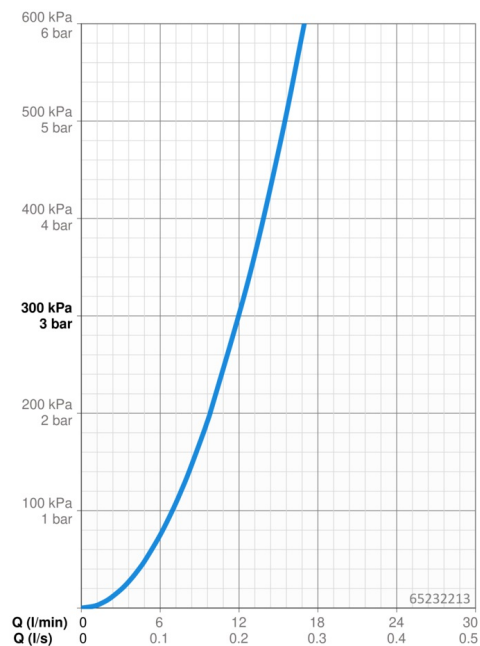
Electrical Connection	<b>230 / 5 V</b>
-----------------------	------------------

### Regulations

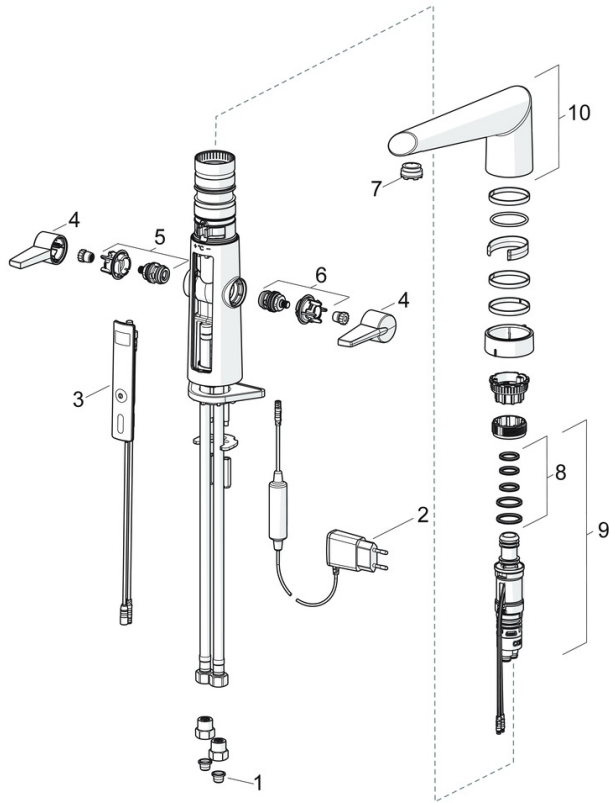
EU Directives	<b>C € Low Voltage Directive 2014/35/EU , EMC Directive 2014/30/EU , RoHS Directive 2011/65/EU</b>
EN standard	<b>ETSI EN 301 489-1 V1.9.2 , ETSI EN 300 328 v2.2.2 , EN 61000-6-1:2007 , EN 61000-6-3:2007+A1:2011+AC:2012 , EN 60335-1:2012+A11+A13+A14+A14+A2+A15:2021, Part 19.11.4</b>
Noise class	<b>I (ISO 3822)</b>
Protection class	<b>IP 54 / transformer IP 20</b>

### Approvals and Declarations

Declaration of conformity	<b>LVD</b>
EPD	<b>S-P-07817</b>



## Spare parts



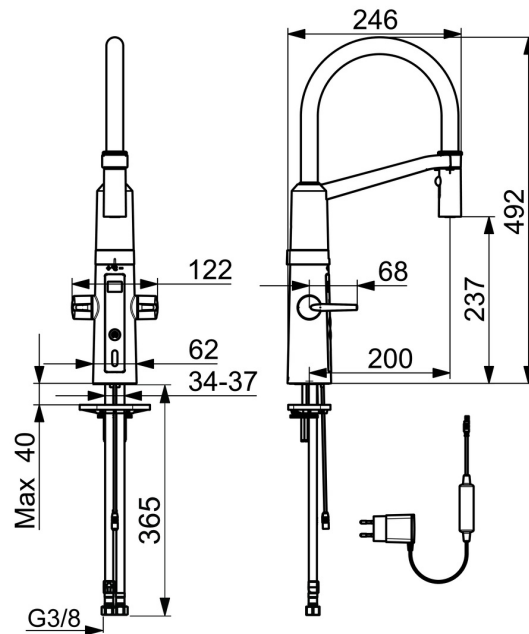
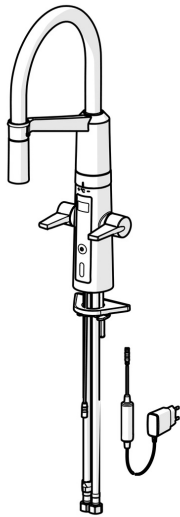
### SP65232213

	<b>Name</b>	<b>Code</b>
01	Litter filters	59914085
02	Power supply, 5 V Discontinued	59914138
03	User interface	59914139
04	Lever	59914140
05	Headpart for hot water	59914141
06	Headpart for cold water	59914142
07	Aerator and key, M24x1 STD CC S	59914143
08	Sealing kit	59914144
09	Temperature regulator	59914145
10	Spout	59914620
N.I.	Fitting ring for aerator	59914339

EAN: 4057304004513  
[static.hansa.com/65252213](http://static.hansa.com/65252213)



- Kitchen
- Public & Semi-public, Industry
- Hybrid, Plug transformer
- Deck mounted
- Chrome
- Swivel spout
- Easy-Grip surface, Two operating levers/handles
- Push operated diverter, Automatic reset
- Normal - Even and soft water stream, Intense - invigorating water stream
- Pull-out hand spray
- Ceramic head part for flow control, Mixing valve for manual temperature control, Litter filter(s)
- Autofocus infrared sensor, Solenoid valve, Power supply, Light indicated function(s)
- Flexible inlet pipes
- Surfaces in contact with drinking water contain less than 0.3% lead, Waterways without nickel coating, Software settings adjustable via buttons
- Soft- and Needle-Spray
- 2 spray functions



## Technical data

### Flow properties

Flow-rate at 3 bar **12.0 l/min**

### Technical properties

DN-size (nominal dimension) **DN15**  
 Hot water supply **max. +70°C**  
 Working pressure **1-10 bar**  
 Connection size **G3/8**  
 Projection **200 mm**  
 Backflow prevention (EN1717) **EB**  
 Material **Brass/Plastic**

### Software settings

Afterflow period **4 s (2/4/8/10/20 s)**  
 Automatic flush **off (off/12/24/48/72 h)**  
 Automatic flush period **30 s (10/30/60/120/180 s)**  
 Max. flow period **40 s (10/40/60/120/180 s)**

### Electronic properties

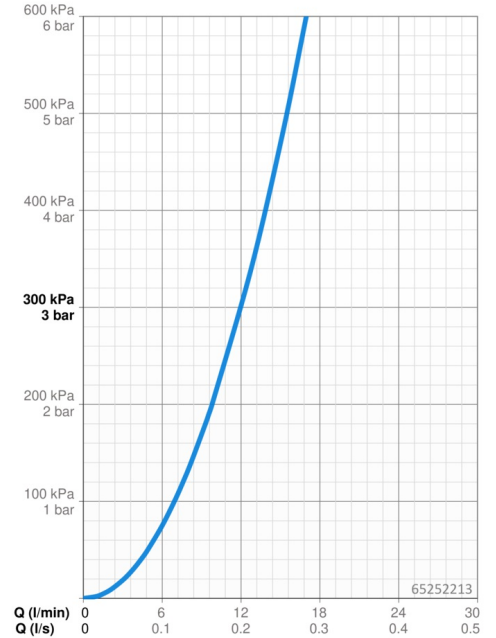
Electrical Connection **230 / 5 V**

### Regulations

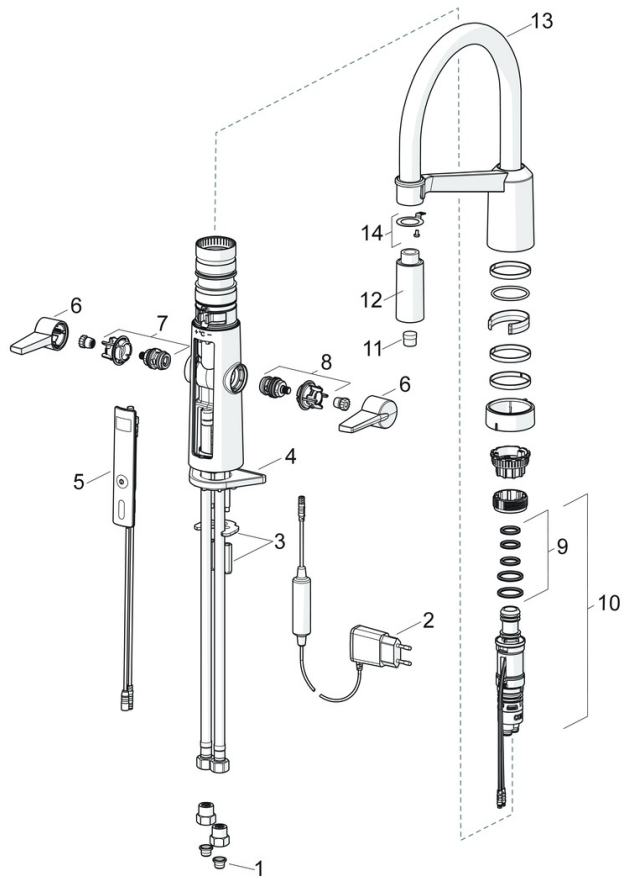
EU Directives **C € Low Voltage Directive 2014/35/EU , EMC Directive 2014/30/EU , RoHS Directive 2011/65/EU**  
 EN standard **EN 1111, EN 200 , EN 15091, ETSI EN 301 489-1 V1.9.2 , ETSI EN 300 328 v2.2.2 , EN 61000-6-1:2007 , EN 61000-6-3:2007+A1:2011+AC:2012 , EN 60335-1:2012+A11+A13+A14+A2+A15:2021, Part 19.11.4**  
 Protection class **IP 55 / transformer IP 20**

### Approvals and Declarations

Declaration of conformity **LVD**



## Spare parts



### SP65252213

	Name	Code
01	Litter filters	59914085
02	Power supply, 5 V Discontinued	59914138
03	Fixing plates with nuts	59914132
04	Supporting plate	59910008
05	User interface	59914139
06	Lever	59914140
07	Headpart for hot water	59914141
08	Headpart for cold water	59914142
09	Sealing kit	59914144
10	Temperature regulator	59914585
11	Aerator	59914583
12	Shower head	59914584
13	High spout	59914582
14	Fixing part Discontinued	59914615