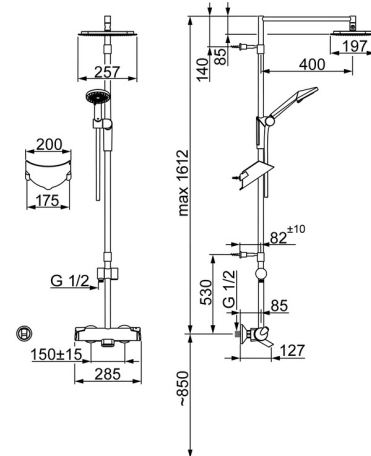
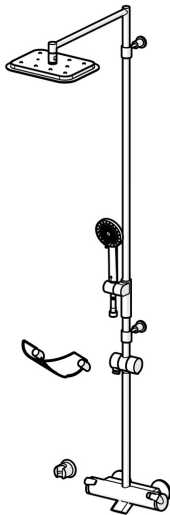


EAN: 4015474277229
static.hansa.com/65162101



- Shower solutions
- Thermostatic
- Wall mounted
- Chrome
- Fixed spout
- Temperature control handle, Flow control handle
- Turn operated diverter, Integrated into flow control handle
- Hand shower, Shower rail, Overhead shower, Adjustable shower rail bracket, Soap dish, Shower holder, Shower hose (2000 mm), Eco flow control, Rotatable ball joint connection, Anti limescale technology (easy to clean)
- Normal - Even and soft water stream, Refreshing - Strong water stream, activates and refreshes body, Relaxing - Soft water stream, pleasant for entire body
- The housing of the fittings conducts minimal heat, Safety stop against scalding at 38°C
- Thermostatic cartridge for automatic temperature control, Fixing Set, Non-return valve(s), Litter filter(s)
- Eccentric coupling(s)
- Flexible length / can be shortened
- Torrent water flow, protected against back-flow in domestic use (according to DIN EN 1717)
- 3 spray functions



Technical data

Flow properties

Flow-rate at 3 bar **16.2 l/min**

Technical properties

DN-size (nominal dimension) **DN15**
 Hot water supply **max. +65°C**
 Working pressure **1-10 bar**
 Connection size **G1/2**
 Installation width **150 ± 15 mm**
 Length / Height **1612 mm**
 Projection **485 mm**
 Backflow prevention (EN1717) **EB**
 Material **Brass/Plastic**

Regulations

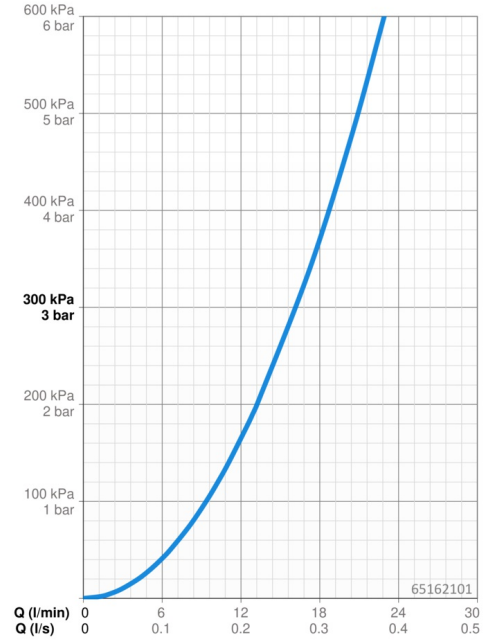
EN standard **EN 1111, EN 1112, EN 1113**

Approvals and Declarations

Declaration of conformity **DoC**
 EPD **S-P-07819**

Sustainability

EPD module A1 (kg CO2 eq.) **31,15**
 EPD module A2 (kg CO2 eq.) **1,61**
 EPD module A3 (kg CO2 eq.) **3,29**
 EPD module A1-A3 (kg CO2 eq.) **36,07**
 EPD module A4 (kg CO2 eq.) **0,95**
 EPD module B7 (kg CO2 eq.) **3126,60**
 EPD module C2 (kg CO2 eq.) **0,07**
 EPD module C3 (kg CO2 eq.) **0,07**
 EPD module C4 (kg CO2 eq.) **1,97**
 EPD module D (kg CO2 eq.) **-23,57**



Spare parts



SP65162101

	Name	Code
1	Flow control handle	59914115
2	Diverter and cartridge	59914116
3	Filter sealing, G3/4	59911076
4	O-ring kit	59914113
5	Temperature control handle	59914112
6	Thermostatic cartridge, 3.4	59914114
7	Nozzle	59914117
8	Diverter	59914249