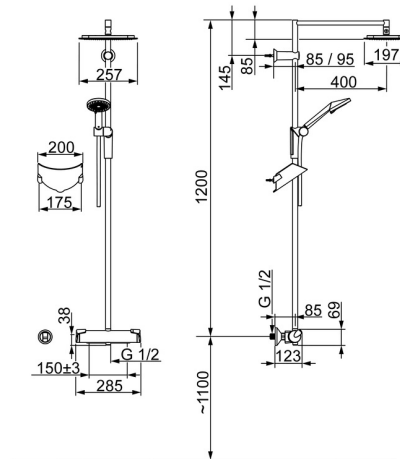
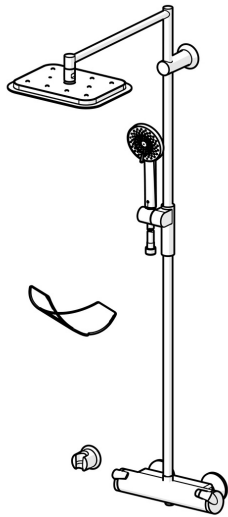


EAN: 4057304014369
static.hansa.com/6515910133



- Shower solutions
- Thermostatic
- Wall mounted
- Matt black
- Temperature control handle, Flow control handle
- Turn operated diverter, Integrated into flow control handle
- Hand shower, Shower rail, Adjustable shower rail bracket, Soap dish, Shower hose (1500 mm), Overhead shower, Eco flow control, Rotatable ball joint connection, Anti limescale technology (easy to clean)
- Normal - Even and soft water stream, Refreshing - Strong water stream, activates and refreshes body, Relaxing - Soft water stream, pleasant for entire body
- Safety stop against scalding at 38°C, The housing of the fittings conducts minimal heat
- Thermostatic cartridge for automatic temperature control, Fixing Set, Non-return valve(s), Litter filter(s)
- Eccentric coupling(s)
- Flexible length / can be shortened
- protected against back-flow in domestic use (according to DIN EN 1717)
- 3 spray functions



Technical data

Flow properties

Flow-rate at 3 bar	16.2 l/min
Pressure loss with flow (0.2 l/s)	1.7 bar

Technical properties

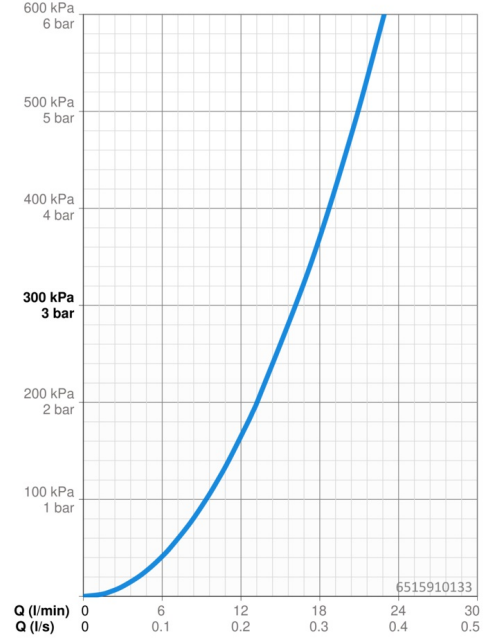
DN-size (nominal dimension)	DN15
Hot water supply	max. +65°C
Working pressure	1-10 bar
Connection size	G1/2
Installation width	150 ± 15 mm
Length / Height	1200 mm
Projection	485 mm
Backflow prevention (EN1717)	EB
Material	Brass/Plastic

Regulations

EN standard	EN 1111, EN 1112, EN 1113
-------------	----------------------------------

Approvals and Declarations

Declaration of conformity	DoC
---------------------------	------------



Spare parts

SP6515910133

	Name	Code
01	Diverter and cartridge	59914116
02	Filter sealing, G3/4	59911076
03	Thermostatic cartridge, 3.4	59914114
04	Tightening nut, M36x1.5, SW38	59914319