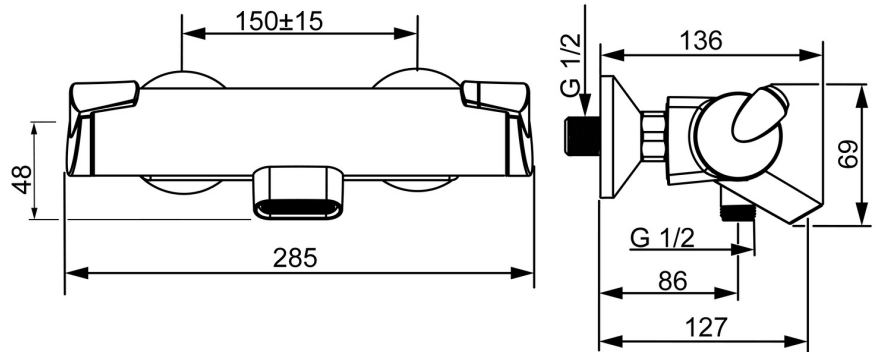
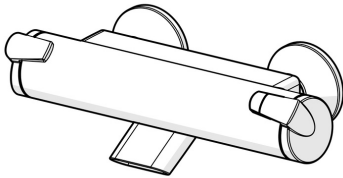


EAN: 4057304014383  
[static.hansa.com/6513210133](http://static.hansa.com/6513210133)



- Bathtub & Shower
- Thermostatic
- Wall mounted
- Matt black
- Fixed spout
- Temperature control handle, Flow control handle, Easy-Grip surface
- Turn operated diverter, Integrated into flow control handle
- Eco flow control
- Limitation option for maximum temperature and flow-rate, Temperature preset fixable, Safety stop against scalding at 38°C
- Thermostatic cartridge for automatic temperature control, Litter filter(s)
- Eccentric coupling(s)
- Inner body made of DZR brass
- Fastening of the function unit with screws
- Torrent water flow, protected against back-flow in domestic use (according to DIN EN 1717); Faucet is GGT-approved - user test GOOD



## Technical data

### Flow properties

Flow-rate at 3 bar	<b>20.4 / 13.2 l/min</b>
Pressure loss with flow (0.2 l/s)	<b>2.3 bar</b>
Pressure loss with flow (0.3 l/s)	<b>2.5 bar</b>

### Technical properties

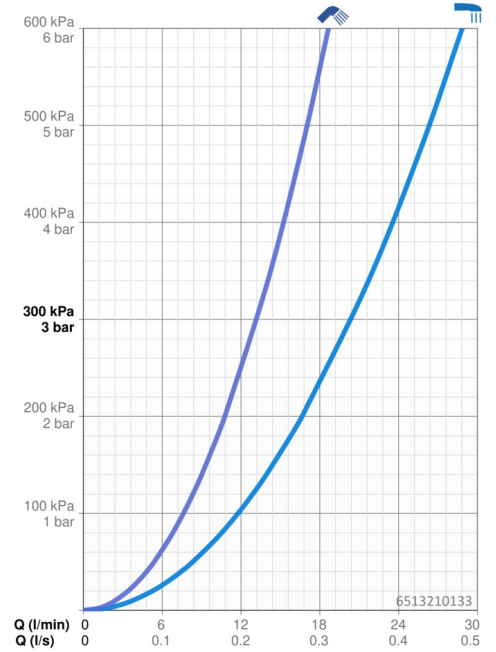
DN-size (nominal dimension)	<b>DN15</b>
Hot water supply	<b>max. +80°C</b>
Working pressure	<b>1-10 bar</b>
Connection size	<b>G1/2</b>
Installation width	<b>cc150 ± 15 mm</b>
Projection	<b>127 mm</b>
Backflow prevention (EN1717)	<b>EB</b>
Material	<b>Brass/Plastic</b>

### Regulations

EN standard	<b>EN 1111</b>
Noise class	<b>II/I (ISO 3822) Oras lab.</b>

### Approvals and Declarations

Declaration of conformity	<b>DoC</b>
---------------------------	------------



## Spare parts

### SP6513210133

	Name	Code
01	Diverter and cartridge	59914116
02	Filter sealing, G3/4	59911076
03	Thermostatic cartridge, 3,4	59914114
04	Tightening nut, M36x1.5, SW38	59914319
05	Nozzle	59914117

