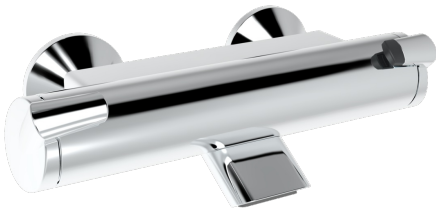
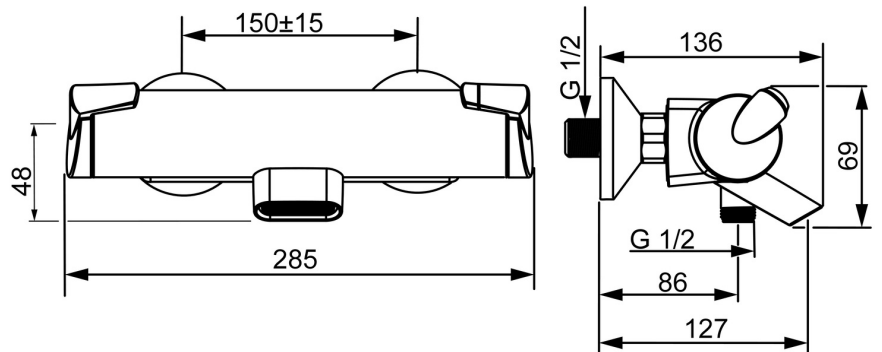
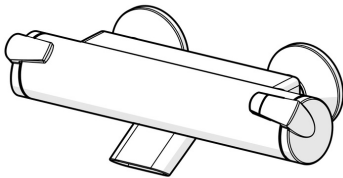


EAN: 4015474273405
static.hansa.com/65132101



- Bathtub & Shower
- Thermostatic
- Wall mounted
- Chrome
- Fixed spout
- Temperature control handle, Flow control handle, Easy-Grip surface, Eco feature for water flow, Safety feature for water temperature
- Turn operated diverter, Integrated into flow control handle
- Eco flow control
- Safety stop against scalding at 38°C, The housing of the fittings conducts minimal heat, Temperature preset fixable
- Ceramic head part for flow control, Thermostatic cartridge for automatic temperature control, Litter filter(s)
- Eccentric coupling(s)
- Inner body made of DZR brass
- Torrent water flow, protected against back-flow in domestic use (according to DIN EN 1717); Faucet is GGT-approved - user test GOOD



Technical data

Flow properties

Flow-rate at 3 bar	20.4 / 13.2 l/min
Pressure loss with flow (0.2 l/s)	2.3 bar
Pressure loss with flow (0.3 l/s)	2.5 bar

Technical properties

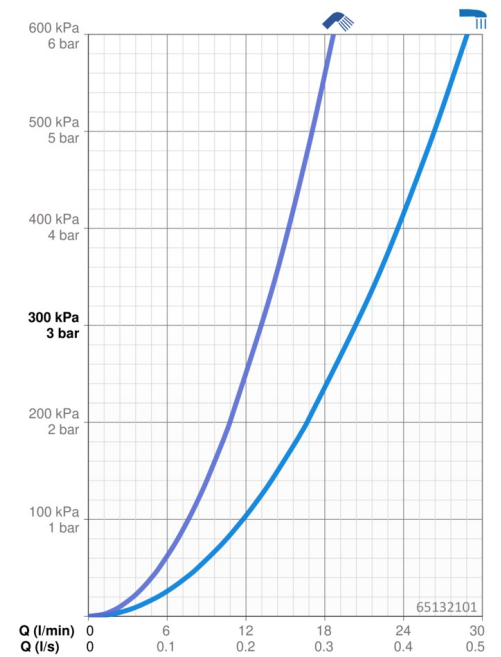
DN-size (nominal dimension)	DN15
Hot water supply	max. +80°C
Working pressure	1-10 bar
Installation width	150 ± 15 mm
Projection	127 mm
Backflow prevention (EN1717)	EB
Material	Brass/Plastic

Regulations

EN standard	EN 1111
-------------	----------------

Approvals and Declarations

Declaration of conformity	DoC
---------------------------	------------



Spare parts

SP65132101

	Name	Code
01	Flow control handle	59914115
02	Diverter and cartridge	59914116
03	Filter sealing, G3/4	59911076
04	Temperature control handle	59914112
05	O-ring kit	59914113
06	Thermostatic cartridge, 3.4	59914114
07	Nozzle	59914117

