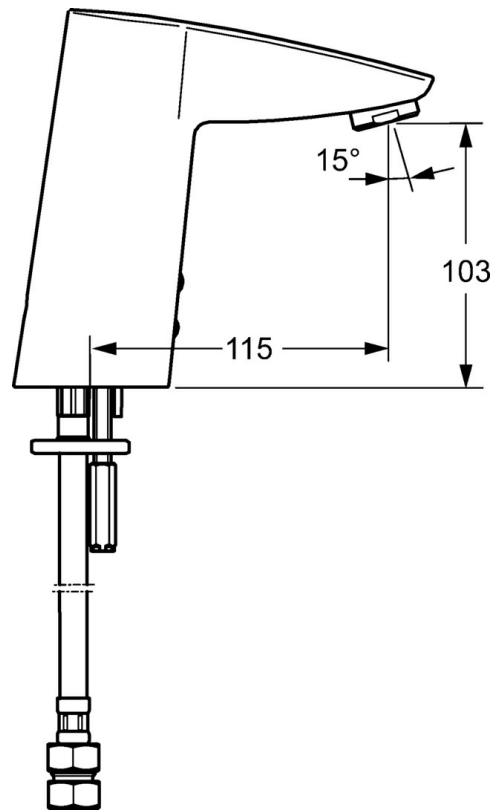
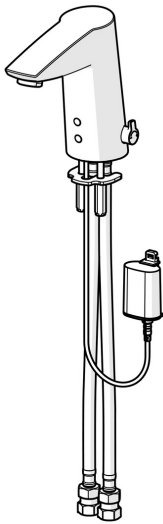


EAN: 4015474277144  
[static.hansa.com/64912211](https://static.hansa.com/64912211)



- Public & Semi-public
- Battery-operated, Touchless
- Deck mounted
- Chrome
- Fixed spout, Casted construction
- Standard aerator
- Temperature control handle
- Adjustable hot water stop (included, retrofittable)
- Mixing valve for manual temperature control, Non-return valve(s), Litter filter(s)
- Autofocus infrared sensor, Solenoid valve, Low battery indicator
- Flexible inlet pipes
- Without pop-up waste, Without draw-rod opening



## Technical data

### Flow properties

Flow-rate at 3 bar (with flow controller) **6.0 l/min**

### Technical properties

DN-size (nominal dimension) **DN15**  
 Hot water supply **max. +70°C**  
 Working pressure **1-10 bar**  
 Connection size **G3/8**  
 Projection **115 mm**  
 Backflow prevention (EN1717) **EB**  
 Material **Brass**

### Software settings

Afterflow period **2 s ± 1 s**  
 Automatic flush **72 h**  
 Automatic flush period **30 s**  
 Max. flow period **2 min**

### Electronic properties

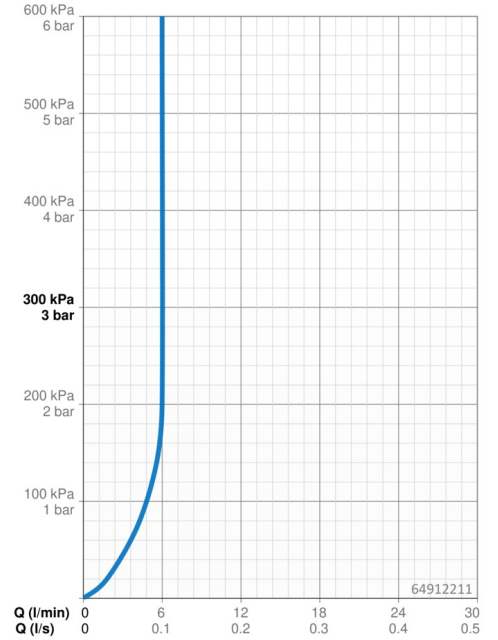
Battery **Lithium 2CR5 6 V**

### Regulations

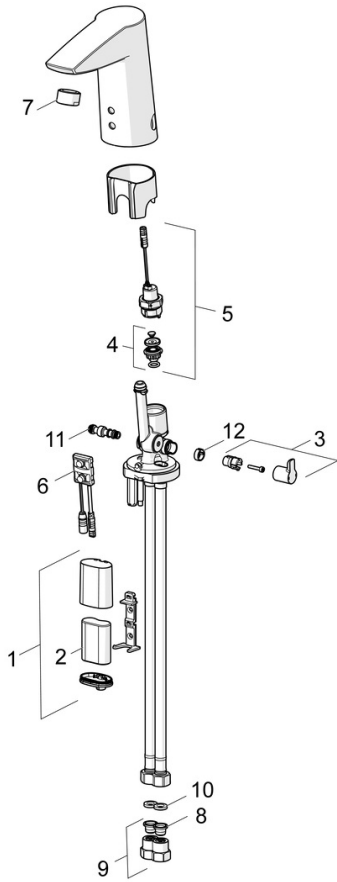
EU Directives **C € EMC Directive 2014/30/EU , RoHS Directive 2011/65/EU**  
 EN standard **EN 15091, ETSI EN 301 489-1 V1.9.2, ETSI EN 300 328 v2.2.2, EN 61000-6-1:2007, EN 61000-6-3:2007+A1:2011+AC:2012, EN 60335-1:2012+A11+A13+A14+A15:2021, Part 19.11.4**  
 Protection class **IP 55**

### Approvals and Declarations

UN38.3 **BP 0001-3**  
 Declaration of conformity **EMC**



## Spare parts



### SP64912210

	Name	Code
01	Battery casing, 2CR5 6 V	59914088
02	Battery, 2CR5 6 V	59911670
03	Temperature control handle	59914108
04	Membrane for solenoid valve	1006500V
04	Membrane support ring Discontinued	59914090
05	Solenoid valve, 6 V	59914091
06	Sensor, 6 V Discontinued	59914093
06	Sensor, 6/9/12 V, Bluetooth	59914567
07	Aerator, M24x1, 6 l/min	59913727
08	Litter filters	59914085
09	One-way valve with litter screen	59914086
10	Gasket, 8x14,3x2	59914087
11	Temperature regulator	59914089
12	Cover plug	59914109
N.I.	Flexible pipe, L=375, G3/8-M10x1 (2pcs)	59914095
N.I.	Limiter	59914106