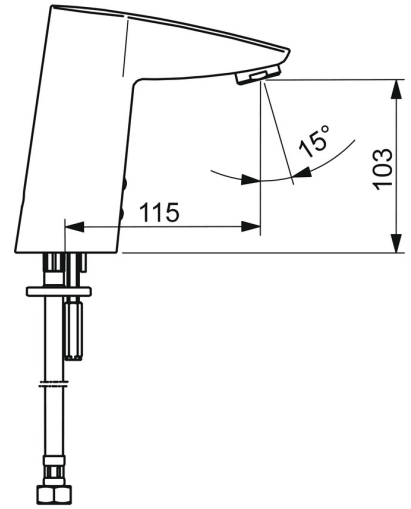
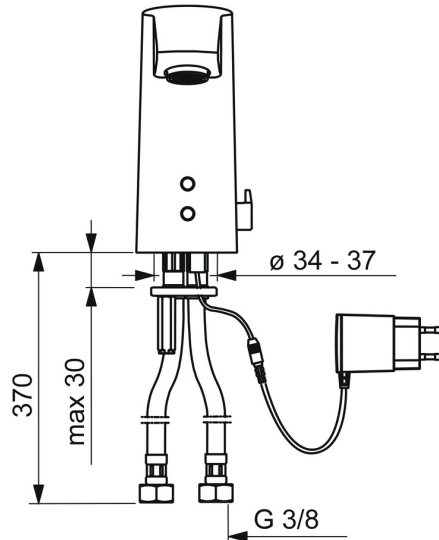
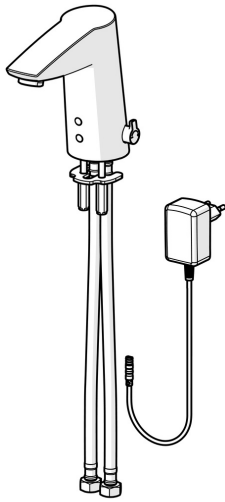


EAN: 4057304014130  
[static.hansa.com/64912019](http://static.hansa.com/64912019)



- Public & Semi-public
- Touchless, Bluetooth®, Plug transformer
- Deck mounted
- Chrome
- Fixed spout, Casted construction
- Standard aerator
- Temperature control handle
- Temperature preset fixable, Adjustable hot water stop (included, retrofittable)
- Mixing valve for manual temperature control, Non-return valve(s), Litter filter(s)
- Autofocus infrared sensor, Solenoid valve, Power supply
- Flexible inlet pipes
- Software settings adjustable via App
- Without pop-up waste, Without draw-rod opening



## Technical data

### Flow properties

Flow-rate at 3 bar (with flow controller) **6.0 l/min**

### Technical properties

DN-size (nominal dimension) **DN15**  
 Hot water supply **max. +70°C**  
 Working pressure **0.5-10 bar**  
 Connection size **G3/8**  
 Projection **115 mm**  
 Backflow prevention (EN1717) **AA**  
 Material **Brass**

### Software settings

Afterflow period **3 s (1-20 s)**  
 Automatic flush **off (off/1-120 h)**  
 Automatic flush period **30 s (1-1800 s)**  
 Max. flow period **2 min (1 - 1800 s)**

### Electronic properties

Electrical Connection **230 / 9 V**  
 Bluetooth version **4.x (D034445)**

### Regulations

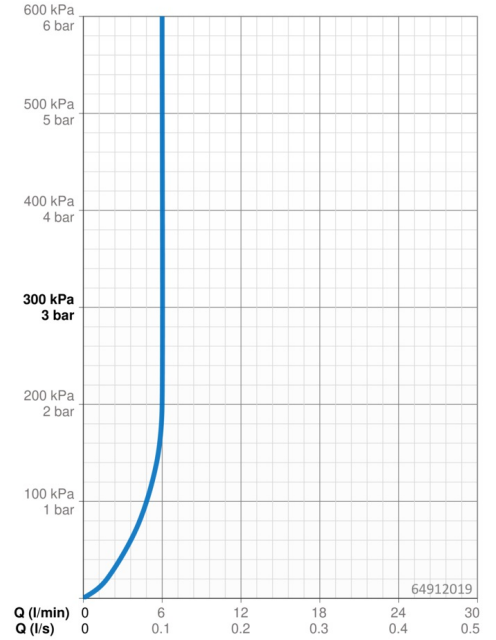
EU Directives **C € Radio Equipment Directive 2014/53/EU , Low Voltage Directive 2014/35/EU , EMC Directive 2014/30/EU , RoHS Directive 2011/65/EU**

EN standard **EN 15091, ETSI EN 301 489-1 V1.9.2 , ETSI EN 300 328 v2.2.2 , EN 61000-6-1:2007 , EN 61000-6-3:2007+A1:2011+AC:2012 , EN 60335-1:2012+A11+A13+A1+A14+A2+A15:2021, Part 19.11.4**

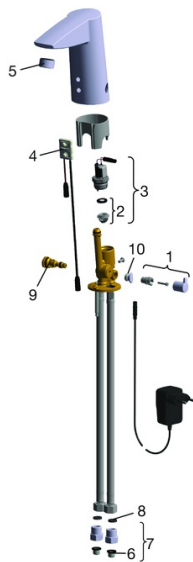
Protection class **IP 55 / transformer IP 20**

### Approvals and Declarations

Declaration of conformity **RED**



## Spare parts



### SP64912010

	Name	Code
01	Temperature control handle	59914108
02	Membrane for solenoid valve	1006500V
02	Membrane support ring Discontinued	59914090
03	Solenoid valve, 6 V	59914091
04	Sensor, 12 V Discontinued	59914228
04	Sensor, 12 V / 72h Discontinued	59914229
04	Sensor, 6/9/12 V, Bluetooth	59914567
05	Aerator, M24x1, 6 l/min	59913727
06	Litter filters	59914085
07	One-way valve with litter screen	59914086
08	Gasket, 8x14.3x2	59914087
09	Temperature regulator	59914089
10	Cover plug	59914109
N.I.	Flexible pipe, L=375, G3/8-M10x1 (2pcs)	59914095
N.I.	Limiter	59914106
N.I.	Power supply, 230/12 V, 500 mA	64490100