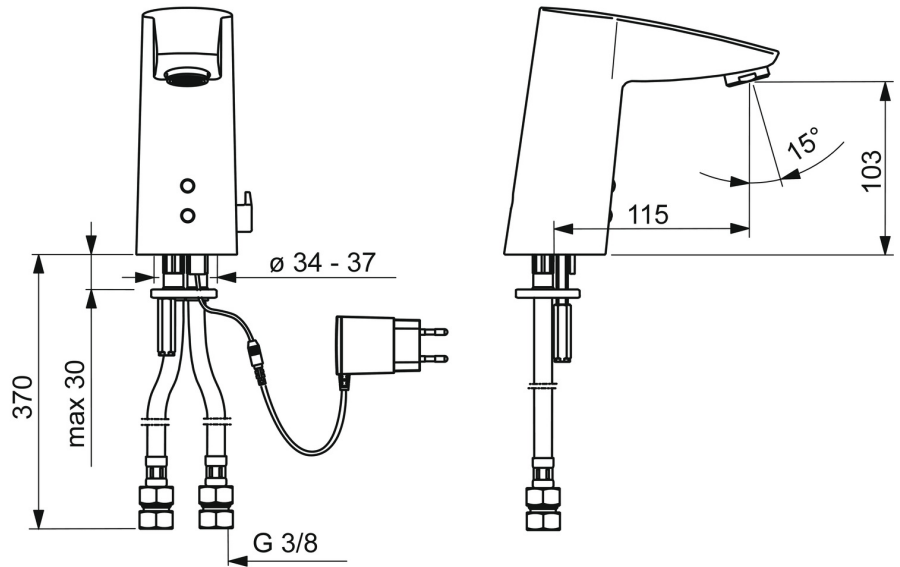
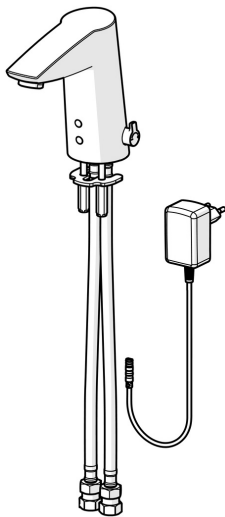


EAN: 4015474277151
static.hansa.com/64912010



- Public & Semi-public
- Plug transformer, Touchless
- Deck mounted
- Chrome
- Fixed spout, Casted construction
- Standard aerator
- Temperature control handle
- Temperature preset fixable, Adjustable hot water stop (included, retrofittable)
- Mixing valve for manual temperature control, Non-return valve(s), Litter filter(s)
- Autofocus infrared sensor, Solenoid valve, Power supply
- Flexible inlet pipes
- Without pop-up waste, Without draw-rod opening



Technical data

Flow properties

Flow-rate at 3 bar (with flow controller) **6.0 l/min**

Technical properties

DN-size (nominal dimension) **DN15**
 Hot water supply **max. +70°C**
 Working pressure **1-10 bar**
 Connection size **G3/8**
 Projection **115 mm**
 Backflow prevention (EN1717) **EB**
 Material **Brass**

Software settings

Afterflow period **2 s ± 1 s**
 Max. flow period **2 min**

Electronic properties

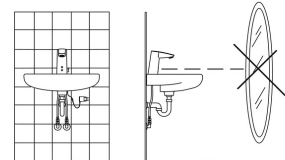
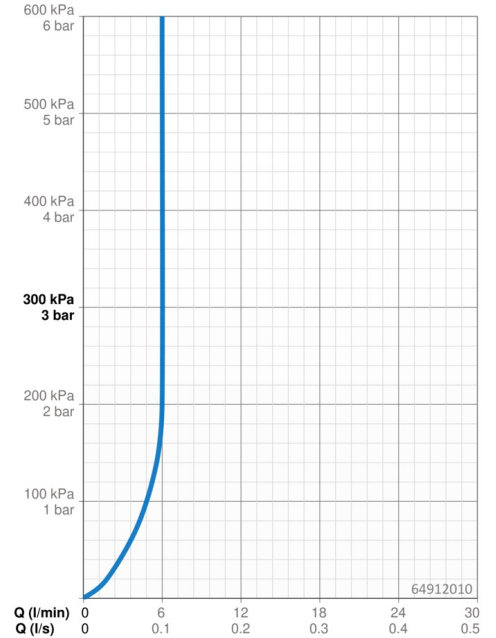
Electrical Connection **230 / 12 V**

Regulations

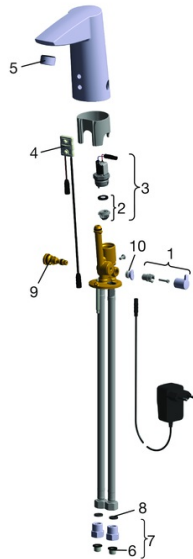
EU Directives **C E Low Voltage Directive 2014/35/EU , EMC Directive 2014/30/EU , RoHS Directive 2011/65/EU**
 EN standard **EN 15091, ETSI EN 301 489-1 V1.9.2 , ETSI EN 300 328 v2.2.2 , EN 61000-6-1:2007 , EN 61000-6-3:2007+A1:2011+AC:2012 , EN 60335-1:2012+A11+A13+A14+A2+A15:2021, Part 19.11.4**
 Protection class **IP 55 / transformer IP 40**

Approvals and Declarations

Declaration of conformity **LVD**



Spare parts



SP64912010

	Name	Code
01	Temperature control handle	59914108
02	Membrane for solenoid valve	1006500V
02	Membrane support ring Discontinued	59914090
03	Solenoid valve, 6 V	59914091
04	Sensor, 12 V Discontinued	59914228
04	Sensor, 12 V / 72h Discontinued	59914229
04	Sensor, 6/9/12 V, Bluetooth	59914567
05	Aerator, M24x1, 6 l/min	59913727
06	Litter filters	59914085
07	One-way valve with litter screen	59914086
08	Gasket, 8x14.3x2	59914087
09	Temperature regulator	59914089
10	Cover plug	59914109
N.I.	Flexible pipe, L=375, G3/8-M10x1 (2pcs)	59914095
N.I.	Limiter	59914106
N.I.	Power supply, 230/12 V, 500 mA	64490100