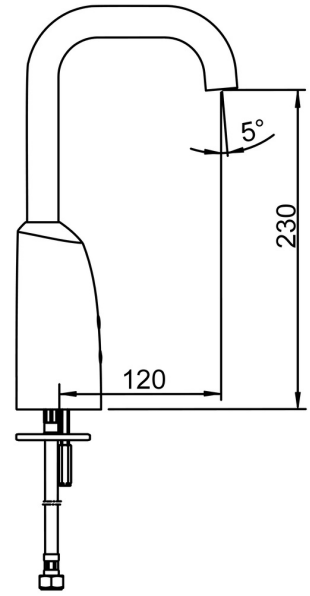
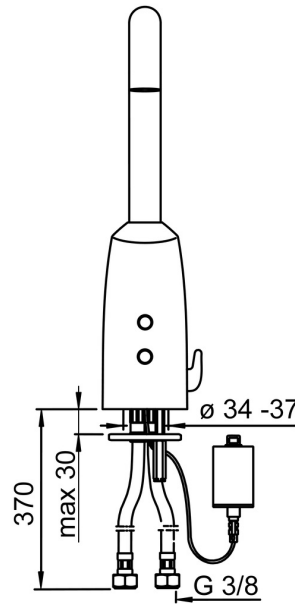
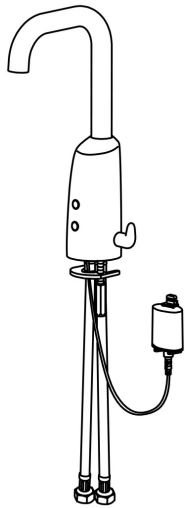


EAN: 4057304015052
static.hansa.com/64442229



- Washbasin
- Public & Semi-public
- Touchless, Bluetooth®, Battery-operated
- Deck mounted
- Chrome
- Fixed spout
- Hidden aerator
- Temperature control handle
- Temperature preset fixable, Adjustable hot water stop (included, retrofittable)
- Mixing valve for manual temperature control, Non-return valve(s), Litter filter(s)
- Autofocus infrared sensor, Solenoid valve, Low battery indicator
- Flexible inlet pipes
- Software settings adjustable via App
- Without pop-up waste, Without draw-rod opening



Technical data

Flow properties

Flow-rate at 3 bar **6.0 l/min**

Technical properties

DN-size (nominal dimension) **DN15**
 Hot water supply **max. +70°C**
 Working pressure **1-10 bar**
 Connection size **G3/8**
 Projection **120 mm**
 Backflow prevention (EN1717) **AA**
 Material **Brass**

Software settings

Afterflow period **3 s (1-20 s)**
 Automatic flush **off (off/1-120 h)**
 Automatic flush period **30 s (1-1800 s)**
 Max. flow period **2 min (1 - 1800 s)**

Electronic properties

Battery **Lithium 2CR5 6 V**
 Bluetooth version **4.x (D034445)**

Regulations

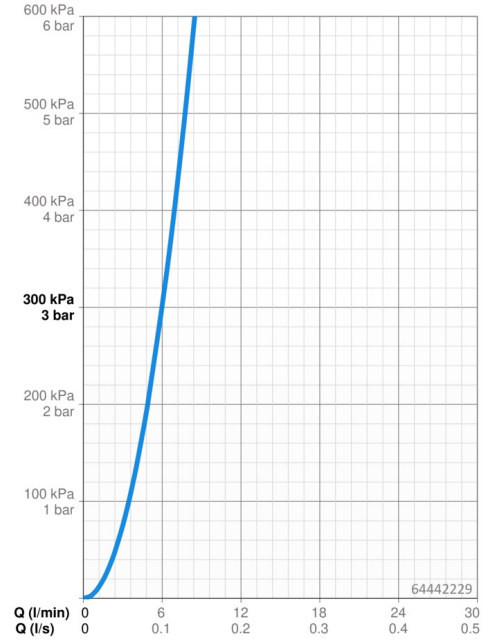
EU Directives **C € Radio Equipment Directive 2014/53/EU , Low Voltage Directive 2014/35/EU , EMC Directive 2014/30/EU , RoHS Directive 2011/65/EU**
 EN standard **EN 15091, ETSI EN 301 489-1 V1.9.2 , ETSI EN 300 328 v2.2.2 , EN 61000-6-1:2007 , EN 61000-6-3:2007+A1:2011+AC:2012 , EN 60335-1:2012+A11+A13+A14+A2+A15:2021, Part 19.11.4**
 Protection class **IP 55**

Approvals and Declarations

UN38.3 **UN38-3 Maxell 2CR5**
 Declaration of conformity **RED**
 EPD **S-P-06394**

Sustainability

EPD module A1 (kg CO2 eq.) **10,11**
 EPD module A2 (kg CO2 eq.) **0,46**
 EPD module A3 (kg CO2 eq.) **0,54**
 EPD module A1-A3 (kg CO2 eq.) **11,11**
 EPD module A4 (kg CO2 eq.) **0,41**
 EPD module B7 (kg CO2 eq.) **430,00**
 EPD module C2 (kg CO2 eq.) **0,02**
 EPD module C3 (kg CO2 eq.) **0,02**
 EPD module C4 (kg CO2 eq.) **0,31**
 EPD module D (kg CO2 eq.) **-8,11**



Spare parts



SP64442220

	Name	Code
01	Battery casing, 2CR5 6 V	59914088
02	Battery, 2CR5 6 V	59911670
03	Temperature control handle	59914100
04	Membrane for solenoid valve	1006500V
04	Membrane support ring Discontinued	59914090
05	Solenoid valve, 6 V	59914091
06	Sensor, 6/9/12 V Bluetooth	1005063V
06	Sensor, 6 V Discontinued	59914101
07	Aerator and key, M18.5x1 Z	59914102
08	Litter filters	59914085
09	One-way valve with litter screen	59914086
10	Spout, L=131 Discontinued	59914227
11	Temperature regulator	59914089
12	Gasket, 8x14.3x2	59914087
N.I.	Flexible pipe, L=375, G3/8-M10x1 (2pcs)	59914095
N.I.	Limiter	59914106