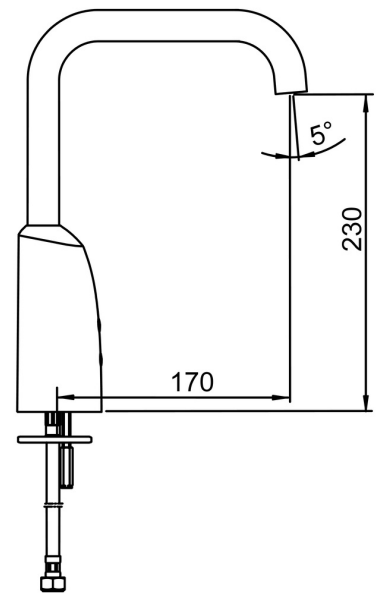
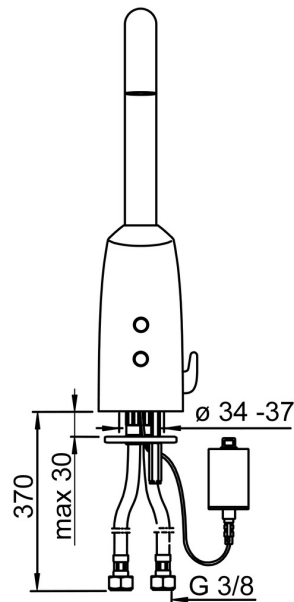
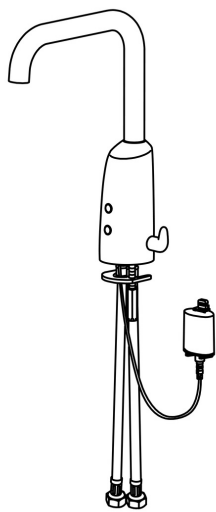


EAN: 4057304015069
static.hansa.com/64442219



- Washbasin
- Public & Semi-public
- Touchless, Bluetooth®, Battery-operated
- Deck mounted
- Chrome
- Fixed spout
- Hidden aerator
- Temperature control handle
- Temperature preset fixable, Adjustable hot water stop (included, retrofittable)
- Mixing valve for manual temperature control, Non-return valve(s), Litter filter(s)
- Autofocus infrared sensor, Solenoid valve, Low battery indicator
- Flexible inlet pipes
- Software settings adjustable via App
- Without pop-up waste, Without draw-rod opening



Technical data

Flow properties

Flow-rate at 3 bar **6.0 l/min**

Technical properties

DN-size (nominal dimension) **DN15**
 Hot water supply **max. +70°C**
 Working pressure **1-10 bar**
 Connection size **G3/8**
 Projection **170 mm**
 Backflow prevention (EN1717) **AA**
 Material **Brass**

Software settings

Afterflow period **3 s (1-20 s)**
 Automatic flush **off (off/1-120 h)**
 Automatic flush period **30 s (1-1800 s)**
 Max. flow period **2 min (1 - 1800 s)**

Electronic properties

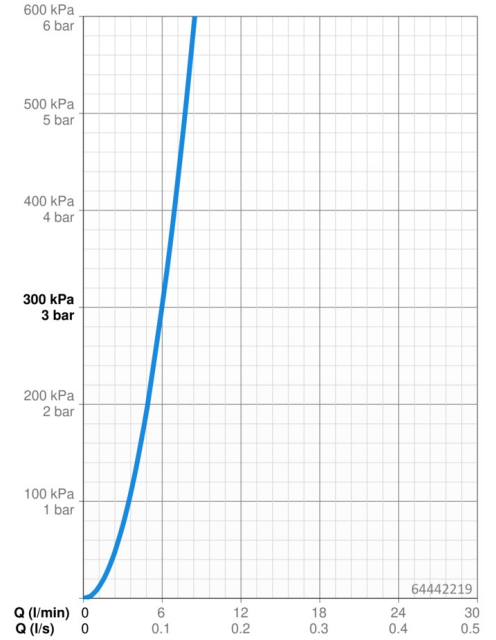
Battery **Lithium 2CR5 6 V**
 Bluetooth version **4.x (D034445)**

Regulations

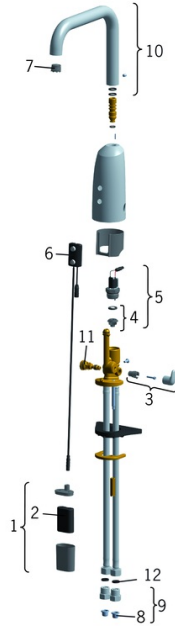
EU Directives **C € Radio Equipment Directive 2014/53/EU , Low Voltage Directive 2014/35/EU , EMC Directive 2014/30/EU , RoHS Directive 2011/65/EU**
 EN standard **EN 15091, ETSI EN 301 489-1 V1.9.2 , ETSI EN 300 328 v2.2.2 , EN 61000-6-1:2007 , EN 61000-6-3:2007+A1:2011+AC:2012 , EN 60335-1:2012+A11+A13+A14+A2+A15:2021, Part 19.11.4**
 Protection class **IP 55**

Approvals and Declarations

UN38.3 **UN38-3 Maxell 2CR5**
 Declaration of conformity **RED**
 EPD **S-P-06394**



Spare parts



SP64442210

| | Name | Code |
|------|------------------------------------|----------|
| 01 | Battery casing, 2CR5 6 V | 59914088 |
| 02 | Battery, 2CR5 6 V | 59911670 |
| 03 | Temperature control handle | 59914100 |
| 04 | Membrane for solenoid valve | 1006500V |
| 04 | Membrane support ring Discontinued | 59914090 |
| 05 | Solenoid valve, 6 V | 59914091 |
| 06 | Sensor, 6/9/12 V Bluetooth | 1005063V |
| 06 | Sensor, 6 V Discontinued | 59914101 |
| 07 | Aerator and key, M18.5x1 Z | 59914102 |
| 08 | Litter filters | 59914085 |
| 09 | One-way valve with litter screen | 59914086 |
| 10 | Spout, L=181 | 59914103 |
| 11 | Temperature regulator | 59914089 |
| 12 | Gasket, 8x14.3x2 | 59914087 |
| N.I. | Limiter | 59914106 |